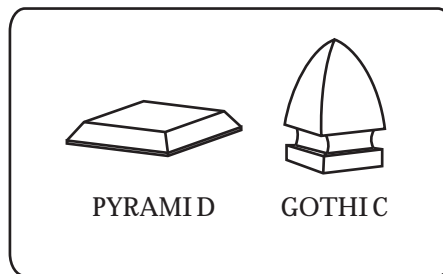
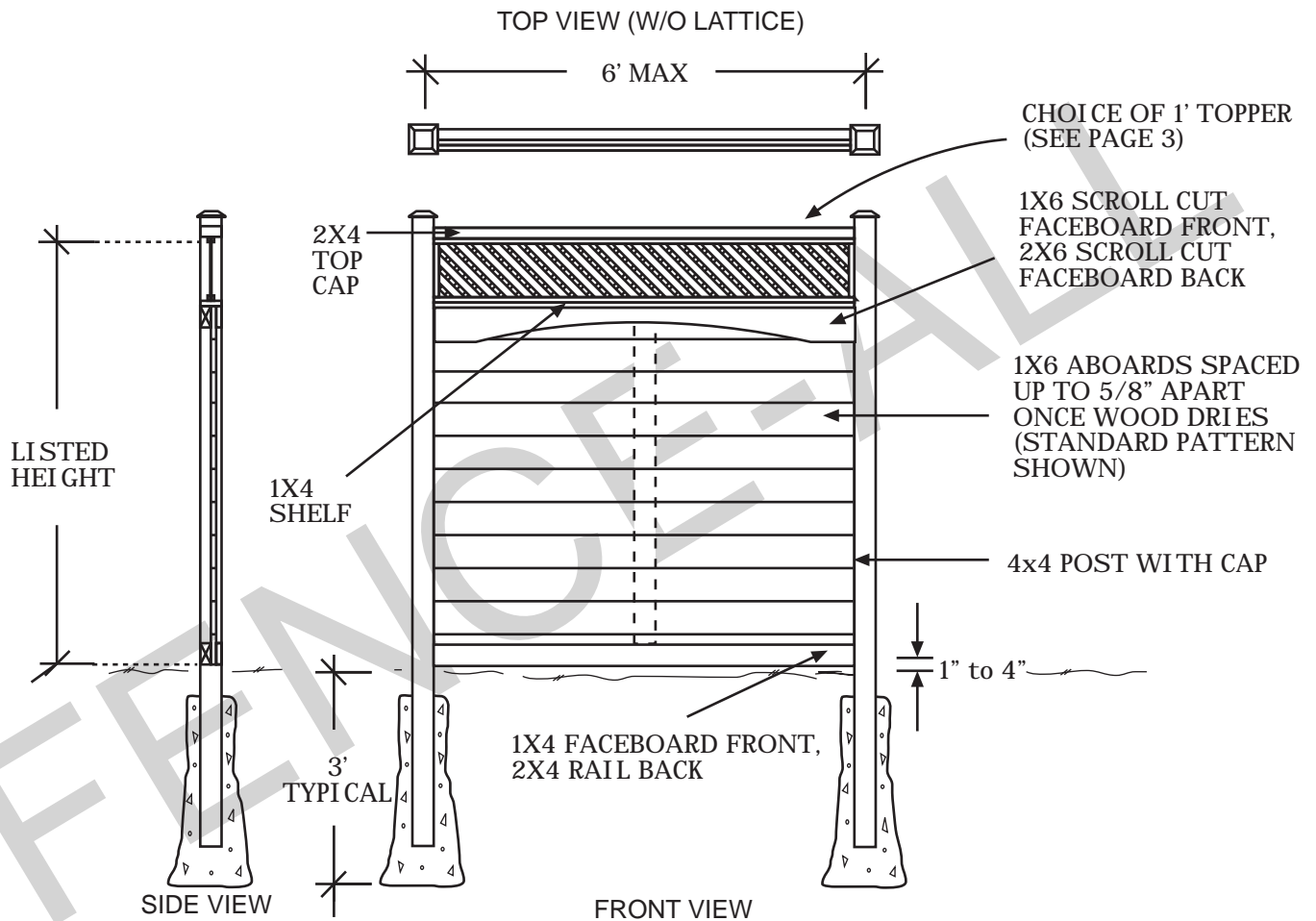


Grand Hollister Wood



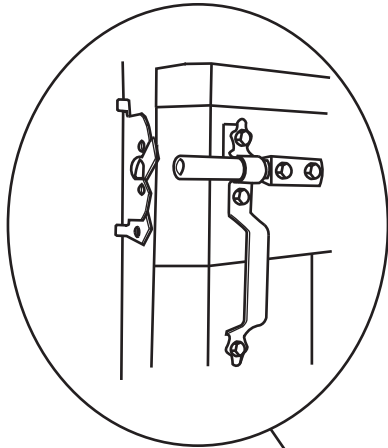
CHOICE OF CAP

NOTES:

- All dimensions are nominal.
- Clearance below the fence isn't included in height calculations.
- We reserve the right to make changes or improvements to our designs without notice.

Grand Hollister Wood Gate

PADDLE LATCH DETAIL
(TYPICALLY INSTALLED AT
HEIGHT OF TOP RAIL)

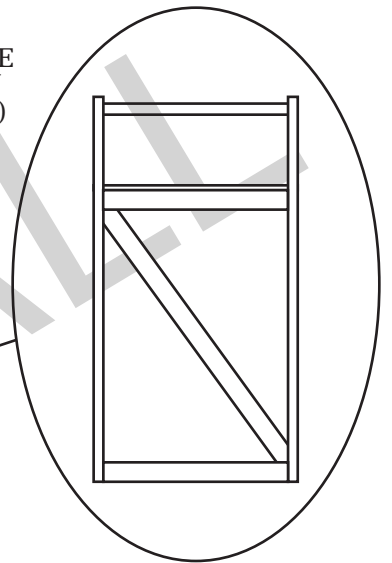


TYPICALLY
1-1/2" SPACE
ON LATCH
SIDE

TYPICALLY
1/2" SPACE
ON HINGE
SIDE

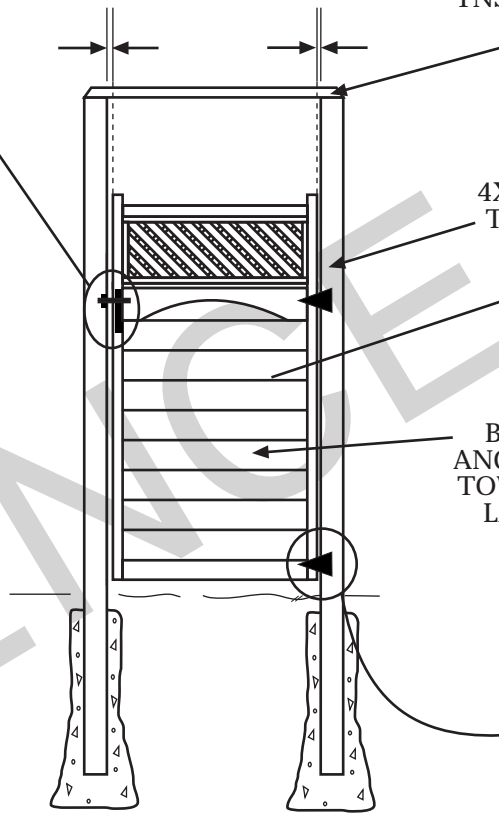
OPTIONAL 2X4 GATE
BRACE (TYPICALLY
INSTALLED AT 7'H)

GATE FRAME

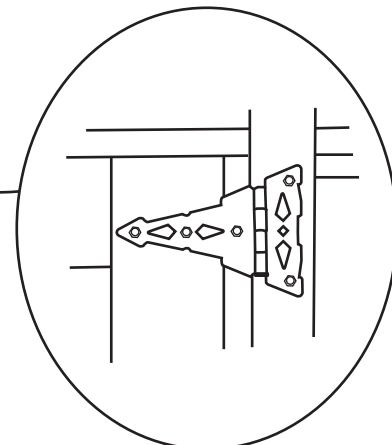


4X4 POST
TYPICAL

BRACE
ANGLES UP
TOWARDS
LATCH



BACK VIEW

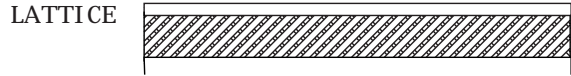
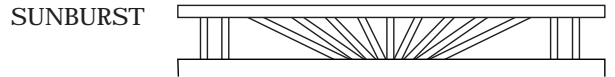
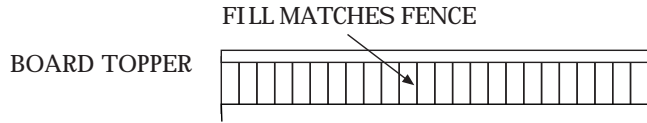


8" HINGE DETAIL

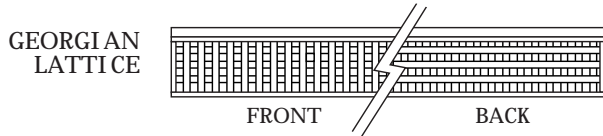
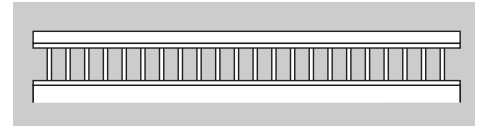
NOTES:

- All dimensions are nominal.
- Clearance below the fence isn't included in height calculations.
- We reserve the right to make changes or improvements to our designs without notice.

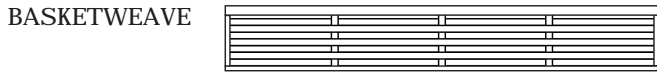
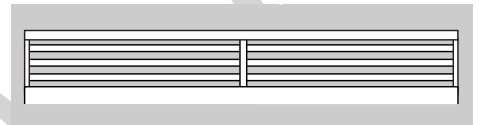
Topper Styles +



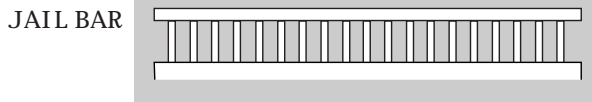
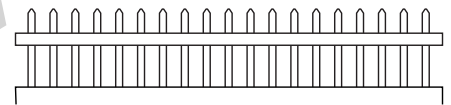
ROUND 3/4" METAL
w/2X4 CAP



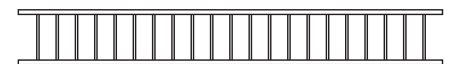
HORIZONTAL
WOOD BARS



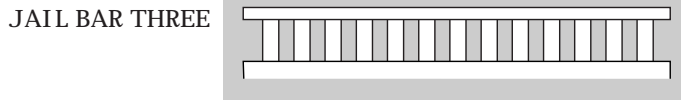
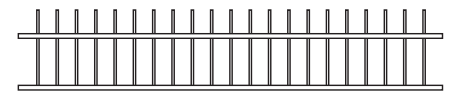
STRAIGHT
PICKET



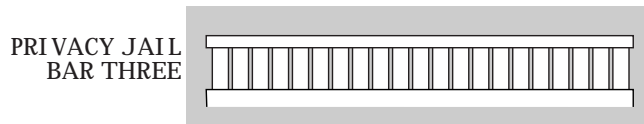
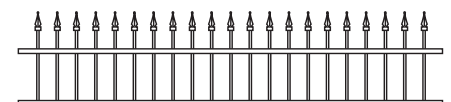
STRAIGHT
LIBERTY IRON



STRAIGHT
MANHATTAN IRON



STRAIGHT
ROCKEFELLER IRON



NOTES:

• Prices vary depending on topper choice.