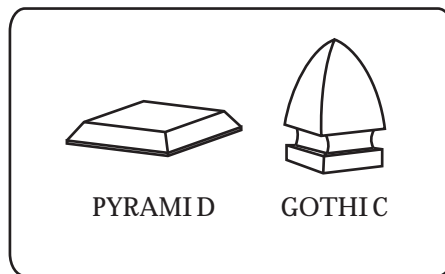
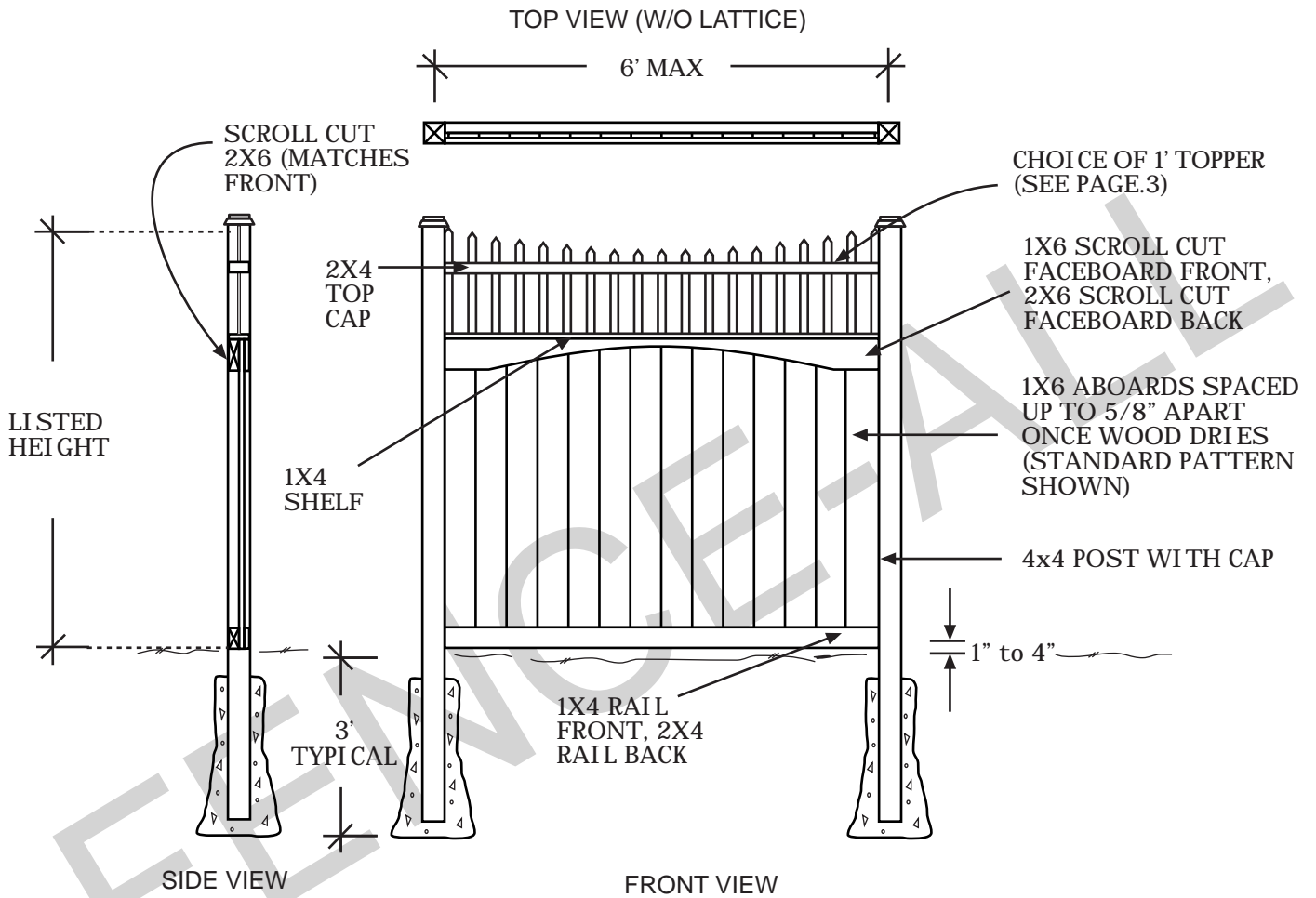


# Grand Essex Wood



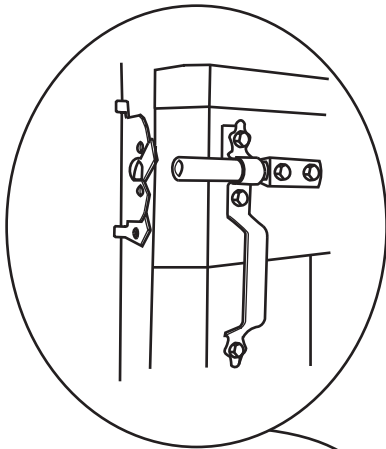
CHOICE OF CAP

**NOTES:**

- All dimensions are nominal.
- Clearance below the fence isn't included in height calculations.
- We reserve the right to make changes or improvements to our designs without notice.

# Grand Essex Wood Gate

PADDLE LATCH DETAIL  
(TYPICALLY INSTALLED AT  
HEIGHT OF TOP RAIL)

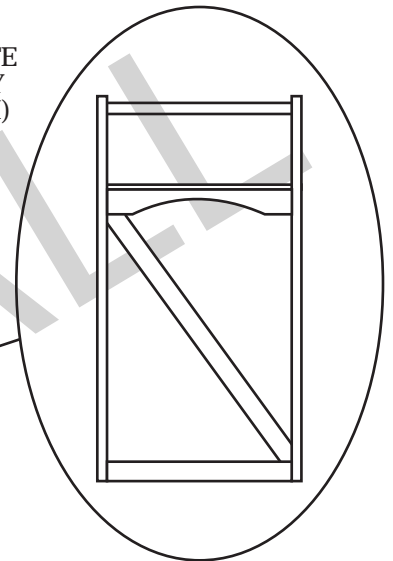


TYPICALLY  
1-1/2" SPACE  
ON LATCH  
SIDE

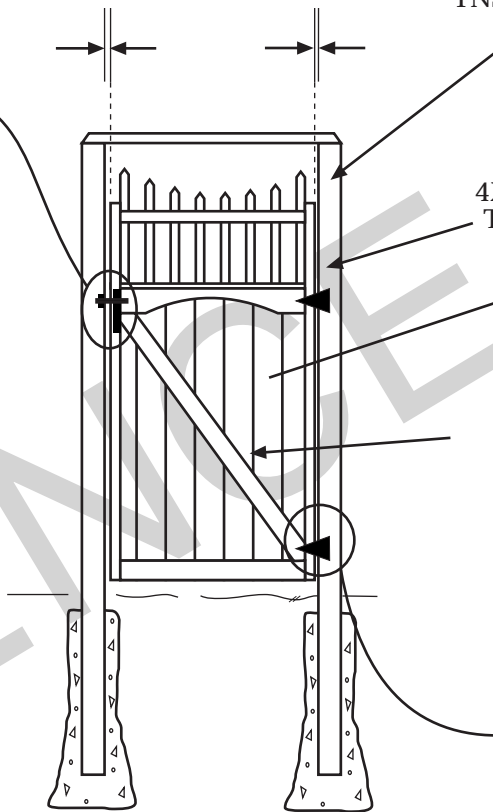
TYPICALLY  
1/2" SPACE  
ON HINGE  
SIDE

OPTIONAL 2X4 GATE  
BRACE (TYPICALLY  
INSTALLED AT 7'H)

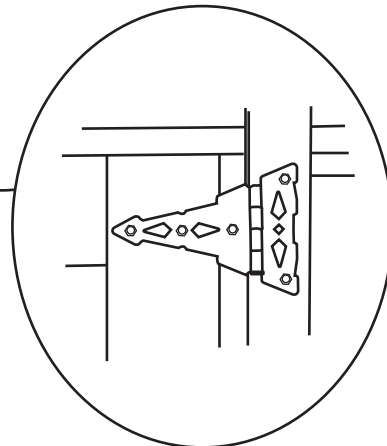
GATE FRAME



4X4 POST  
TYPICAL



BACK VIEW



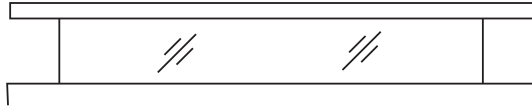
8" HINGE DETAIL

**NOTES:**

- All dimensions are nominal.
- Clearance below the fence isn't included in height calculations.
- We reserve the right to make changes or improvements to our designs without notice.

# Topper Styles +++

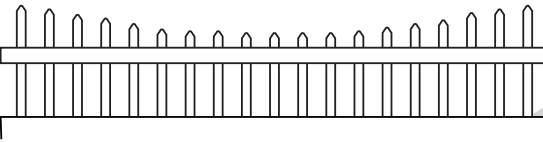
GLASS



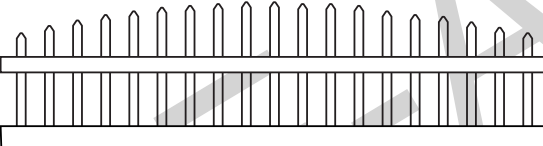
HUDSON ALUMINUM



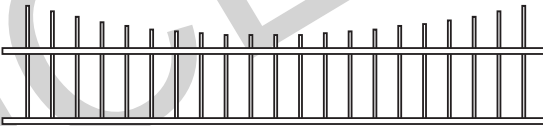
CONCAVE WOOD PICKET



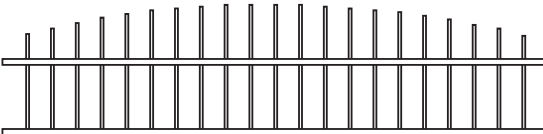
CONVEX WOOD PICKET



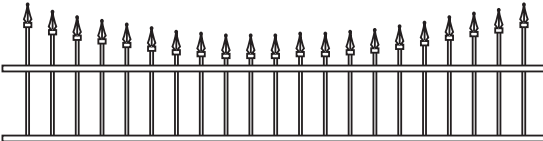
CONCAVE MANHATTAN IRON



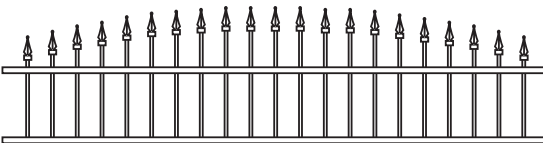
CONVEX MANHATTAN IRON



CONCAVE ROCKEFELLER IRON



CONVEX ROCKEFELLER IRON



NOTES:

● Prices vary depending on topper choice.