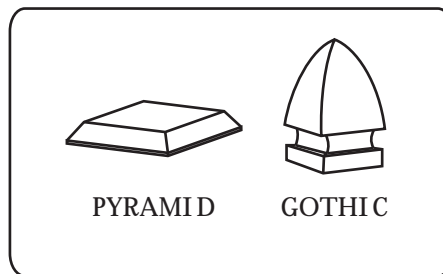
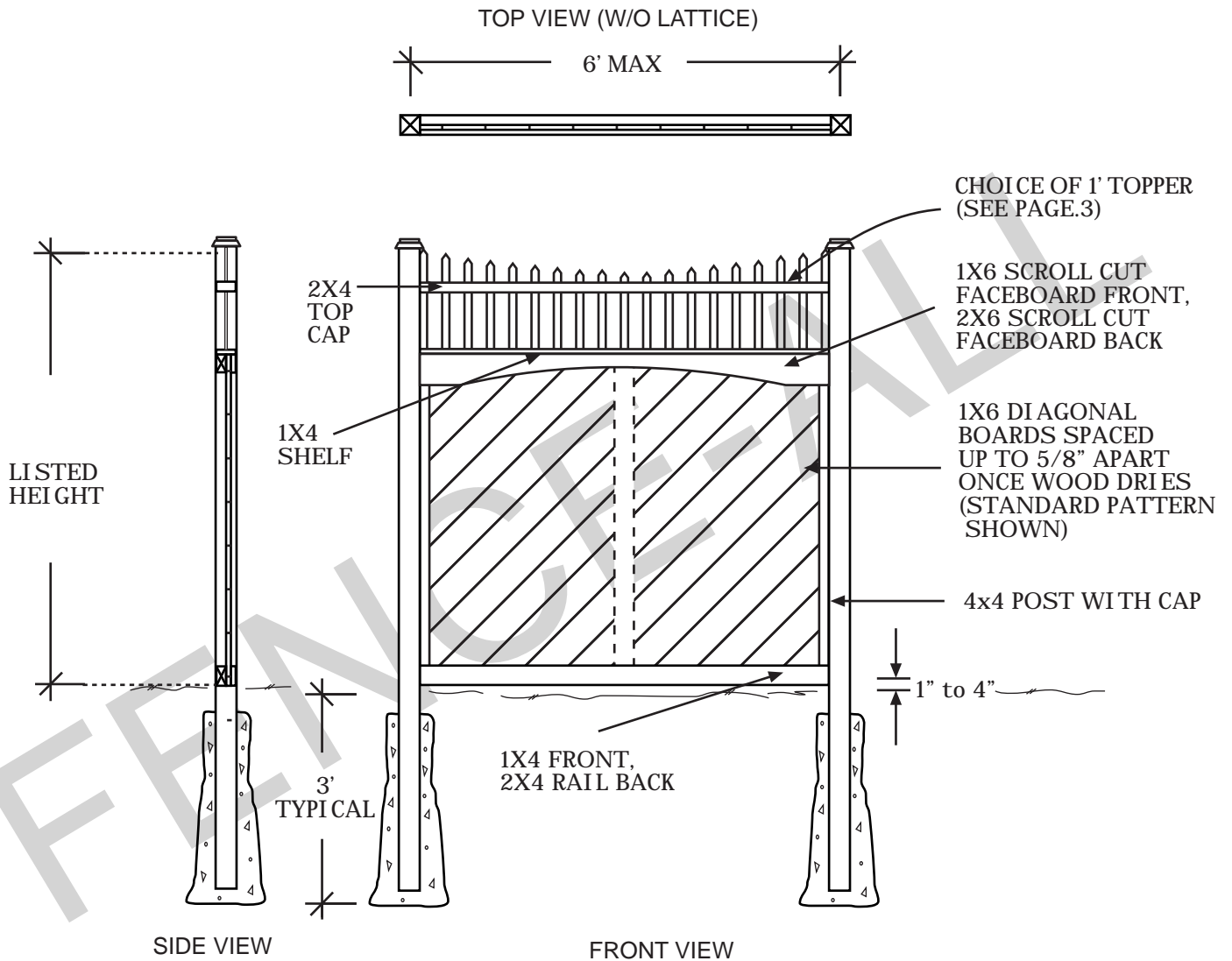


Grand Douglas Wood



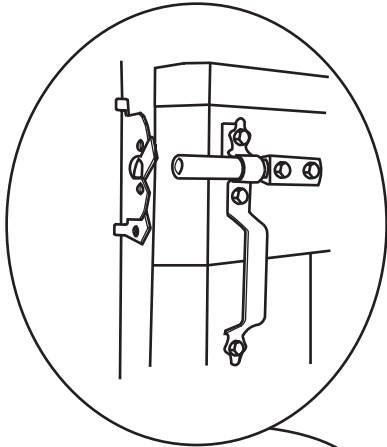
CHOICE OF CAP

NOTES:

- All dimensions are nominal.
- Clearance below the fence isn't included in height calculations.
- We reserve the right to make changes or improvements to our designs without notice.

Grand Douglas Wood Gate

PADDLE LATCH DETAIL
(TYPICALLY INSTALLED AT
HEIGHT OF TOP RAIL)

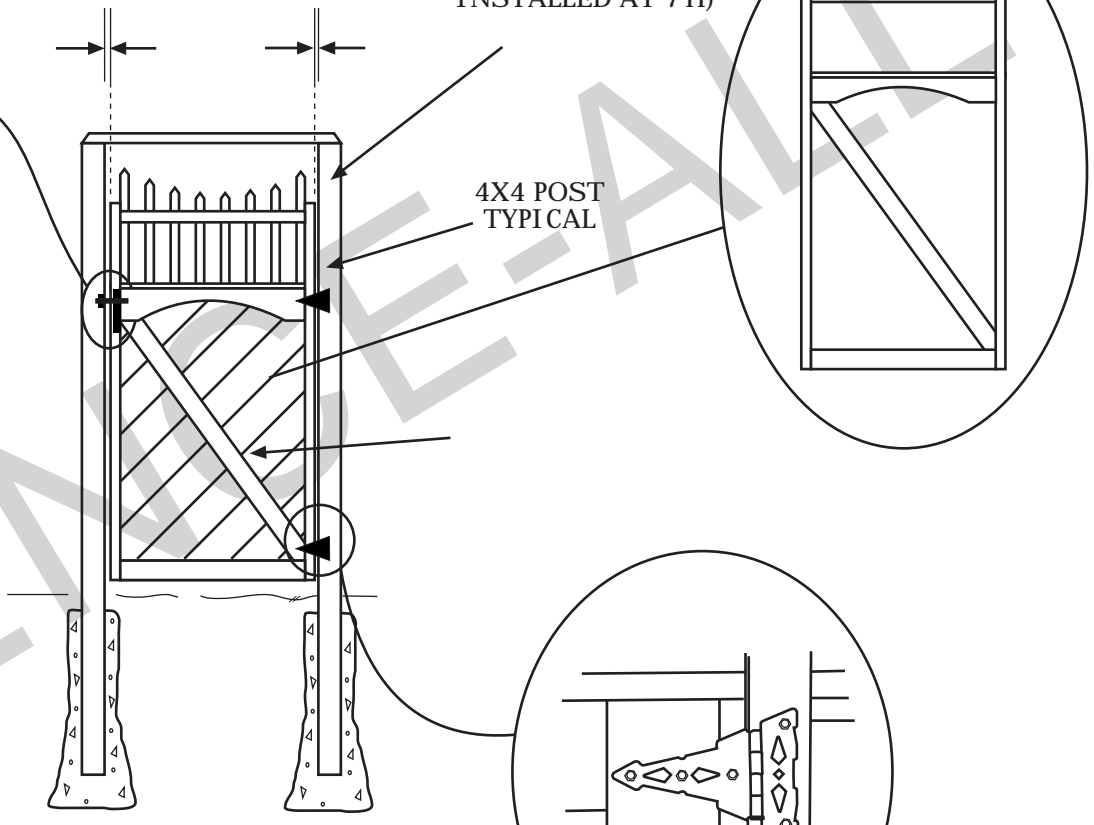


TYPICALLY
1-1/2" SPACE
ON LATCH
SIDE

TYPICALLY
1/2" SPACE
ON HINGE
SIDE

OPTIONAL 2X4 GATE
BRACE (TYPICALLY
INSTALLED AT 7'H)

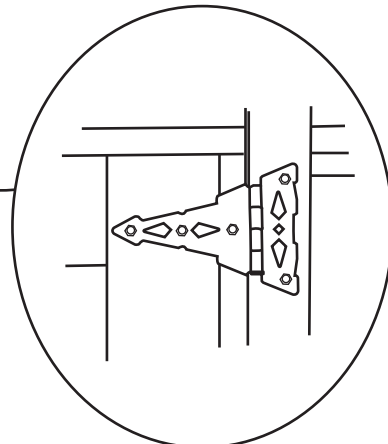
GATE FRAME



4X4 POST
TYPICAL

BACK VIEW

8" HINGE DETAIL

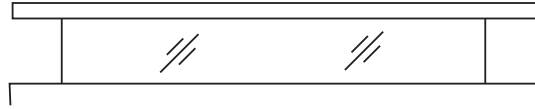


NOTES:

- All dimensions are nominal.
- Clearance below the fence isn't included in height calculations.
- We reserve the right to make changes or improvements to our designs without notice.

Topper Styles ++

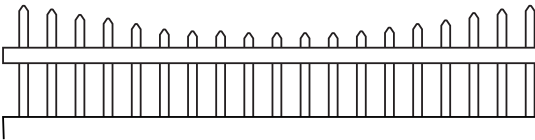
GLASS



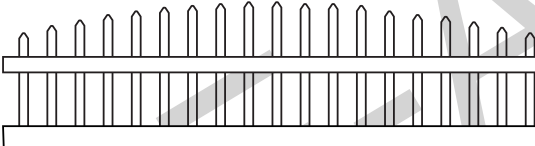
HUDSON ALUMINUM



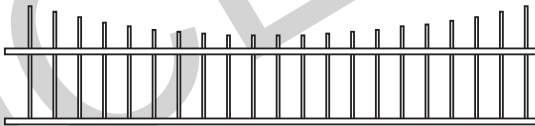
CONCAVE WOOD PICKET



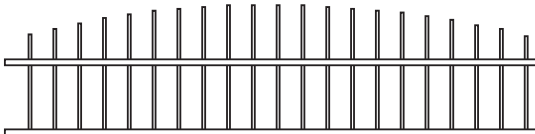
CONVEX WOOD PICKET



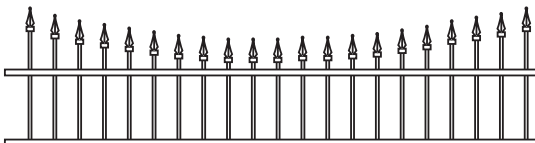
CONCAVE MANHATTAN IRON



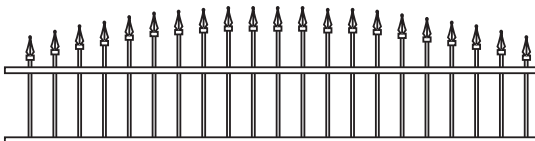
CONVEX MANHATTAN IRON



CONCAVE ROCKEFELLER IRON



CONVEX ROCKEFELLER IRON



NOTES:

• Prices vary depending on topper choice.