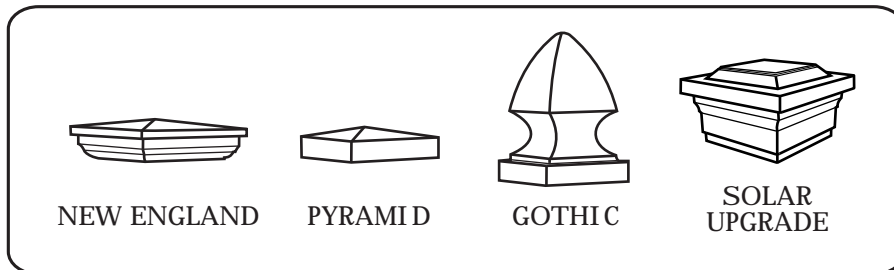
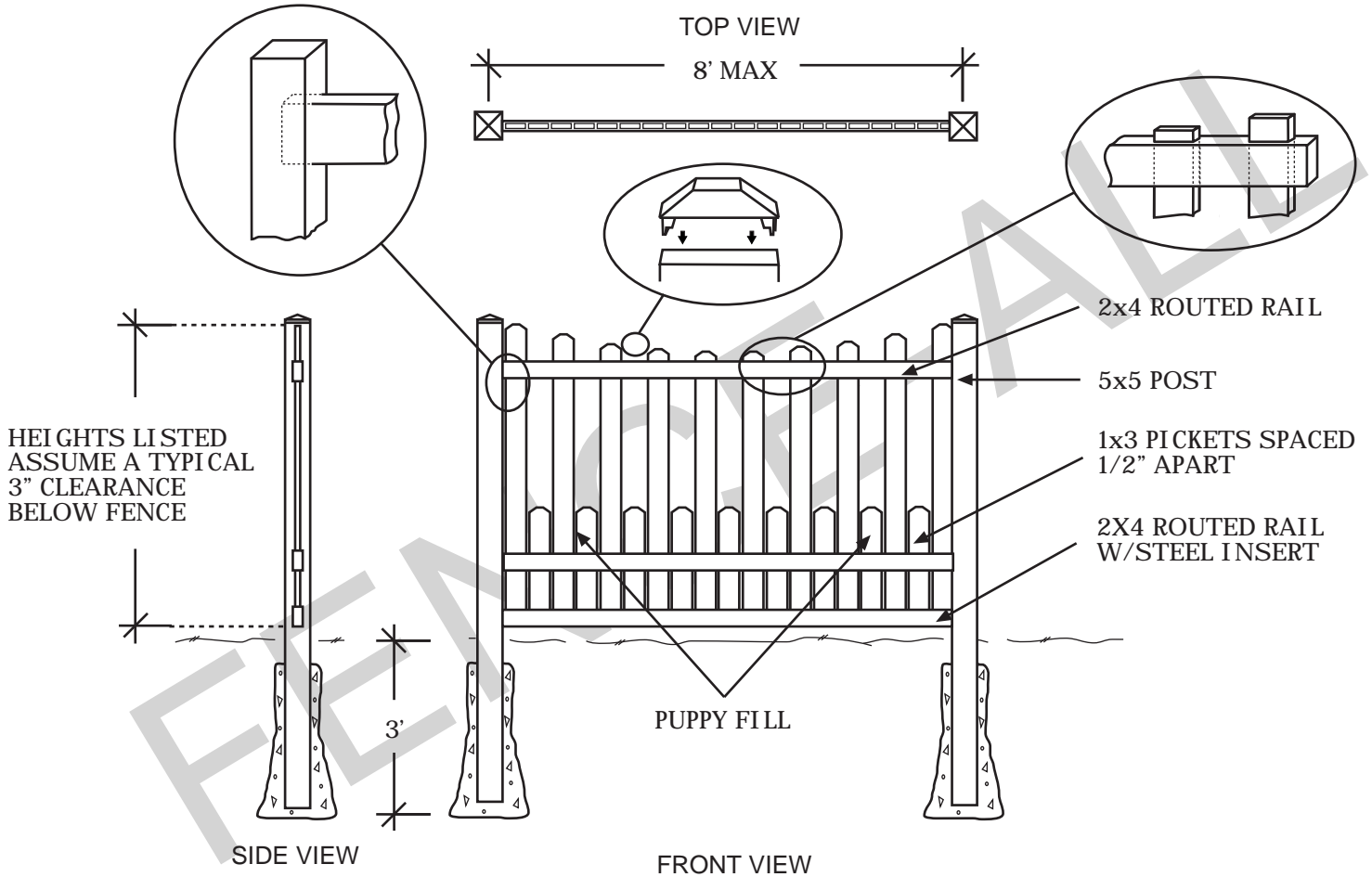
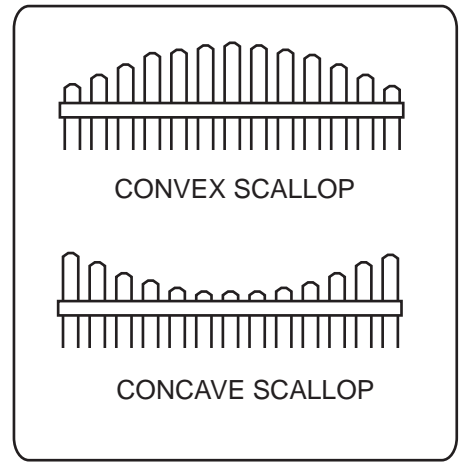


# Esquire w/Puppy Fill Vinyl/PVC

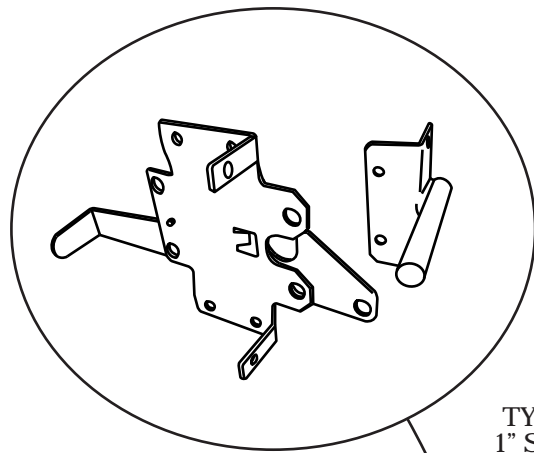


CHOICE OF CAP

**NOTES:**

- All dimensions are nominal.
- Clearance below the fence isn't included in height calculations.
- We reserve the right to make changes or improvements to our designs without notice.

# Esquire w/Puppy Fill Vinyl/PVC Gate



FINGER AND CATCH

TYPICALLY  
1" SPACE ON  
LATCH SIDE

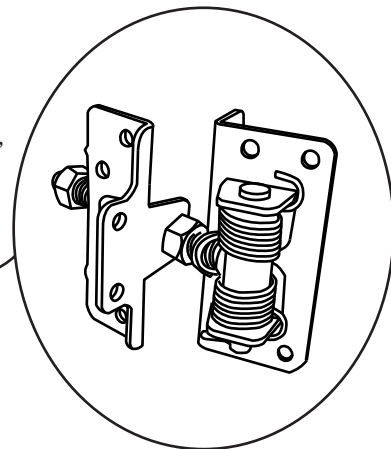
TYPICALLY  
1/2" SPACE  
ON HINGE  
SIDE

OPTIONAL 2X4 GATE  
BRACE TYPICALLY  
INSTALLED @ 7'H MIN

5X5 POST  
TYPICAL

TYPICALLY 1-1/2"  
SHORTER THAN  
MATCHING FENCE

2" to 4"



HINGES ADJUST TO  
SET GATE ALIGNMENT

## NOTES:

- All dimensions are nominal.
- Clearance below the fence isn't included in height calculations.
- We reserve the right to make changes or improvements to our designs without notice.