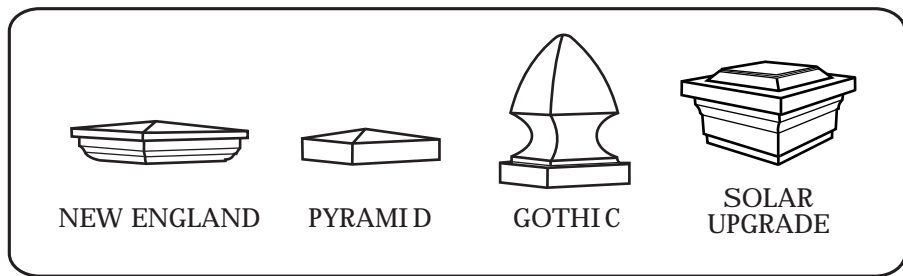
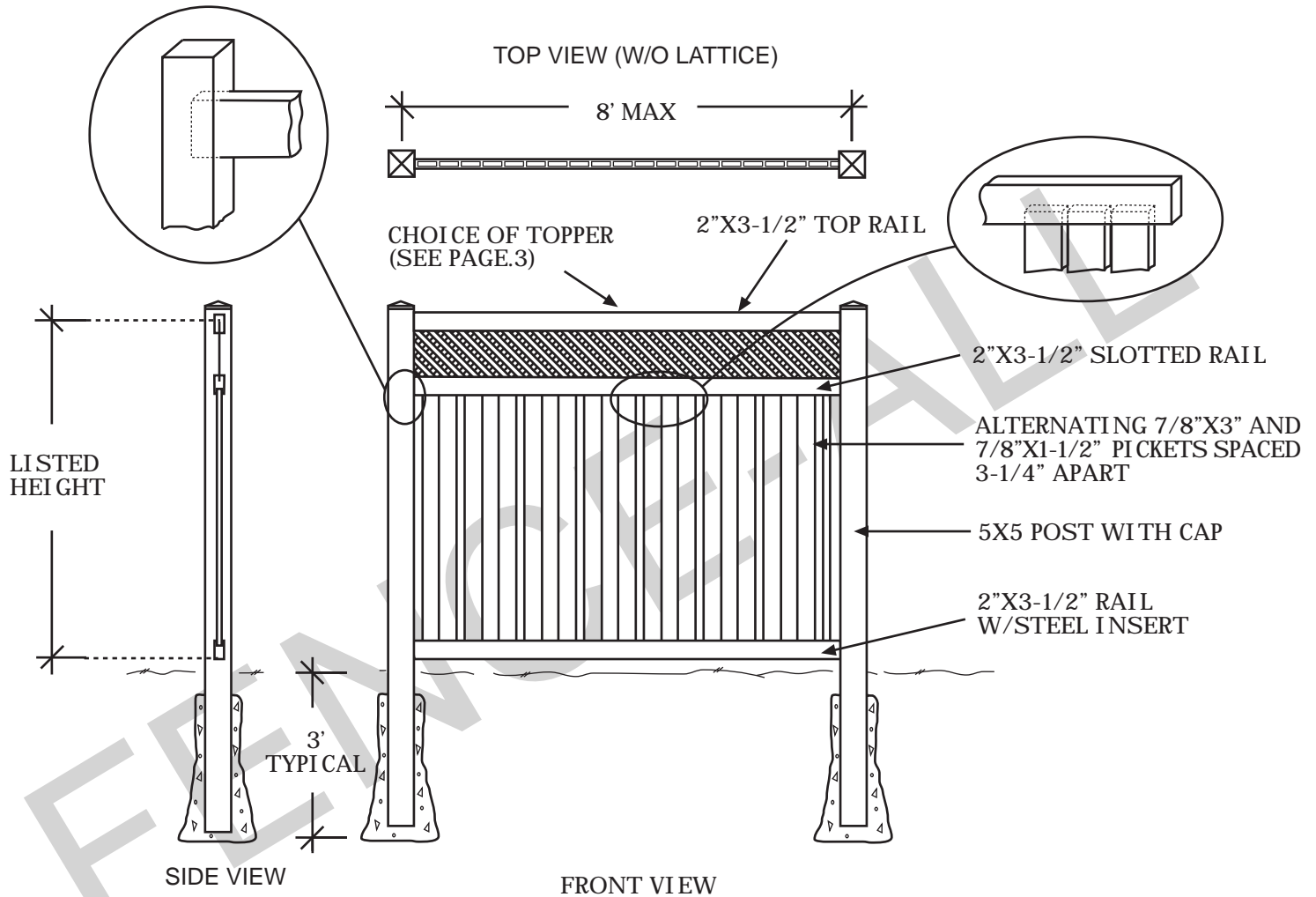


Carlingwood Vinyl/PVC

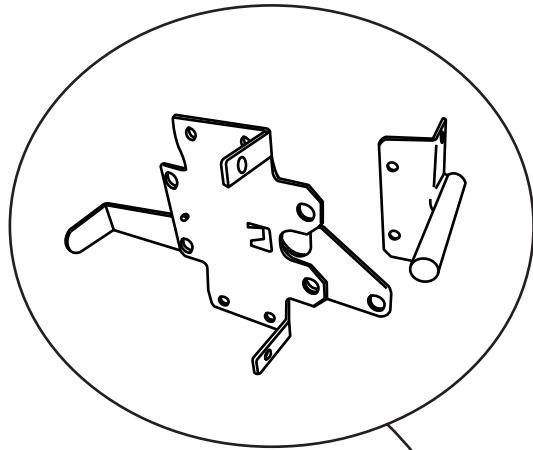


CHOICE OF CAP

NOTES:

- All dimensions are nominal.
- Clearance below the fence isn't included in height calculations.
- We reserve the right to make changes or improvements to our designs without notice.

Carlingwood Vinyl/PVC Gate



FINGER AND CATCH
TYPICALLY INSTALLED
@4'6" H MIN

TYPICALLY
1" SPACE ON
LATCH SIDE

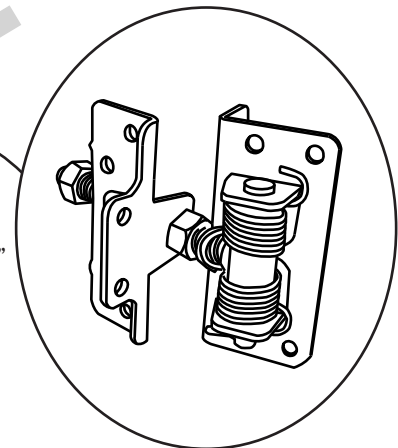
TYPICALLY
1/2" SPACE
ON HINGE
SIDE

OPTIONAL 2"X3-1/2" GATE
BRACE TYPICALLY
INSTALLED @7'H MIN

5X5 POST
TYPICAL

TYPICALLY 1-1/2"
SHORTER THAN
MATCHING FENCE

2" to 4"



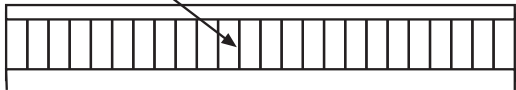
HINGES ADJUST TO
SET GATE ALIGNMENT

NOTES:

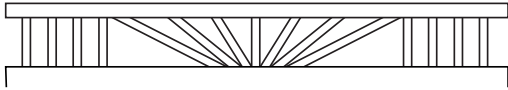
- All dimensions are nominal.
- Clearance below the fence isn't included in height calculations.
- We reserve the right to make changes or improvements to our designs without notice.

Topper Styles +

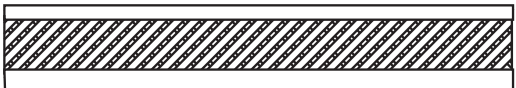
FILL MATCHES FENCE



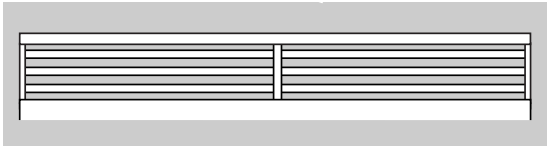
BOARD



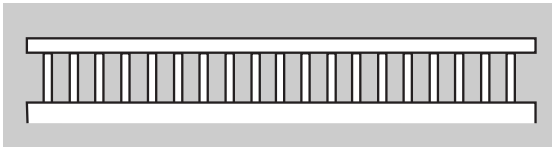
SUNBURST



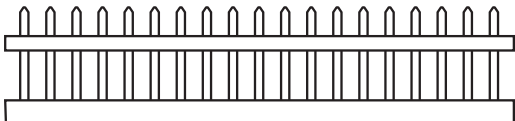
LATTICE



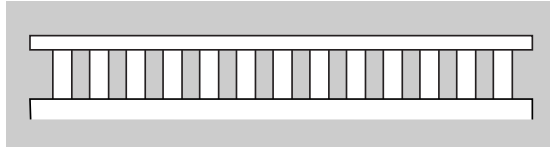
HORIZONTAL JAIL BAR



JAIL BAR



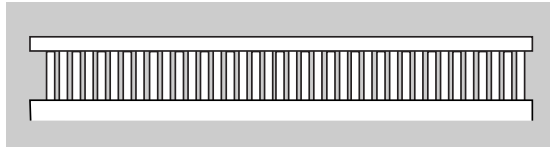
STRAIGHT PICKET



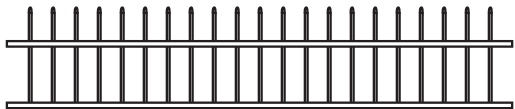
JAIL BAR THREE



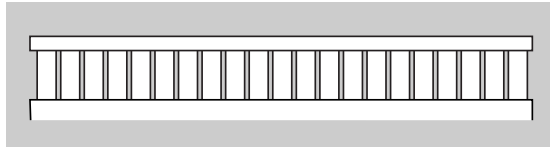
STRAIGHT LIBERTY IRON



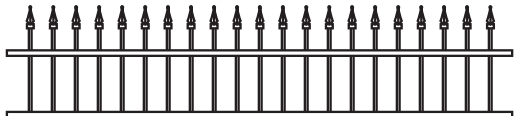
PRIVACY JAIL BAR



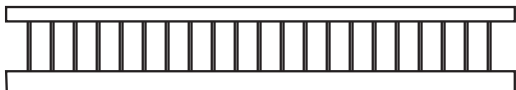
STRAIGHT MARQUEE IRON



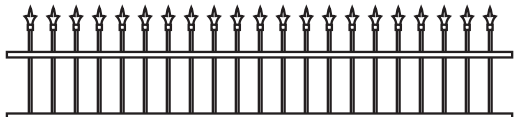
PRIVACY JAIL BAR THREE



STRAIGHT ROCKEFELLER IRON



ROUND 3/4" METAL



STRAIGHT EMPIRE IRON

NOTES:

• Prices vary depending on topper choice.