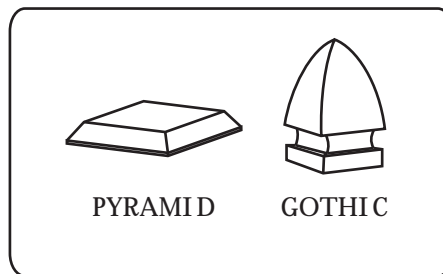
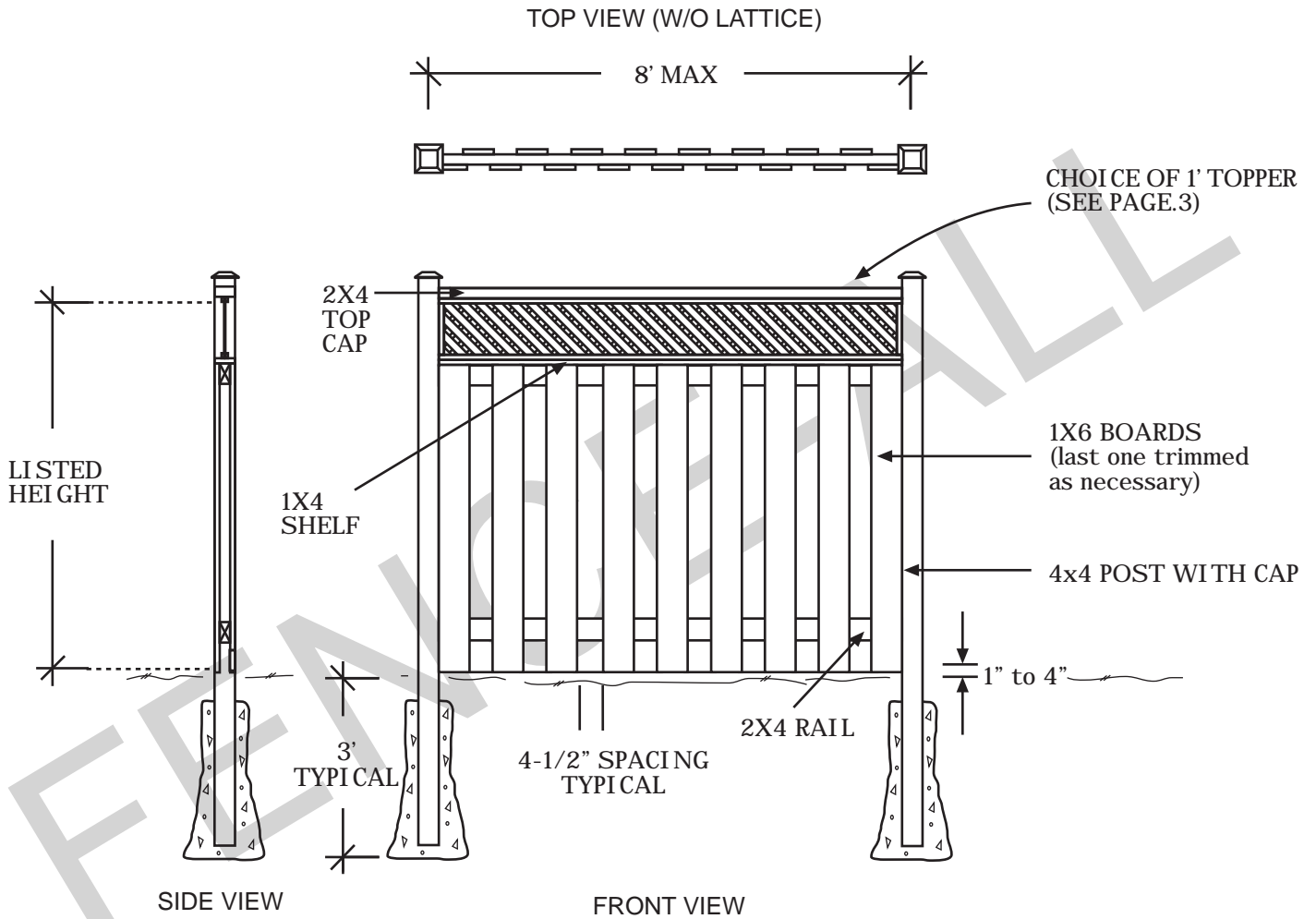


# Stittsville Wood



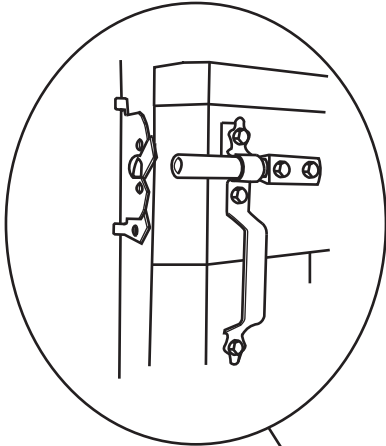
CHOICE OF CAP

**NOTES:**

- All dimensions are nominal.
- Clearance below the fence isn't included in height calculations.
- We reserve the right to make changes or improvements to our designs without notice.

# Stittsville Wood Gate

PADDLE LATCH DETAIL  
(TYPICALLY INSTALLED AT  
HEIGHT OF TOP RAIL)

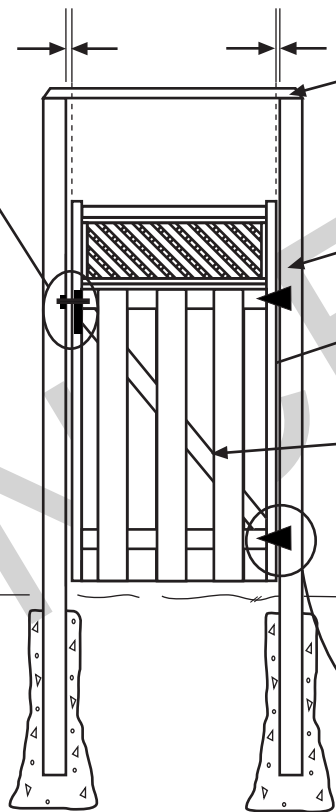


TYPICALLY  
1-1/2" SPACE  
ON LATCH  
SIDE

TYPICALLY  
1/2" SPACE  
ON HINGE  
SIDE

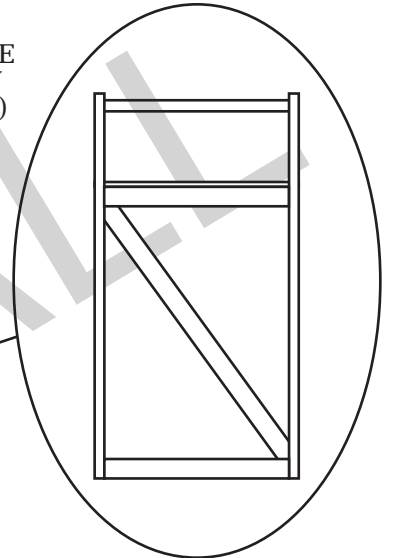
OPTIONAL 2X4 GATE  
BRACE (TYPICALLY  
INSTALLED AT 7'H)

GATE FRAME

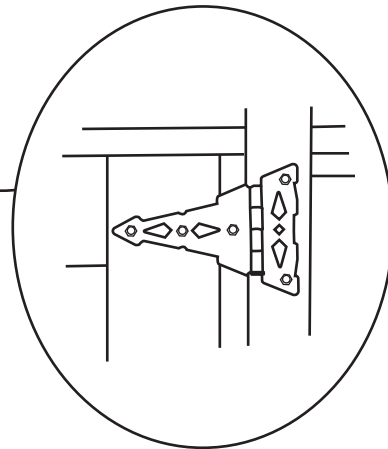


4X4 POST  
TYPICAL

BRACE  
ANGLES UP  
TOWARDS  
LATCH



BACK VIEW

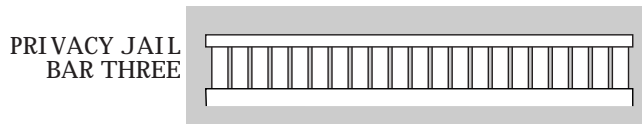
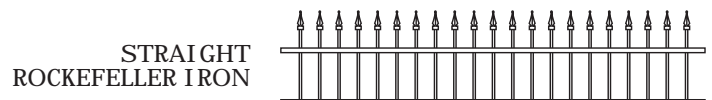
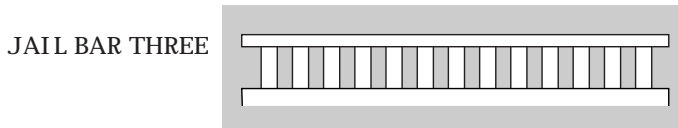
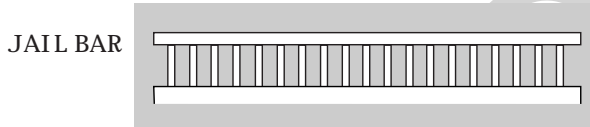
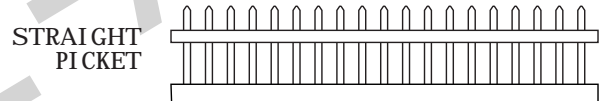
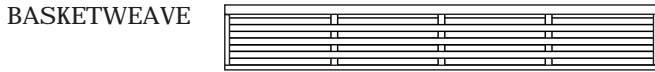
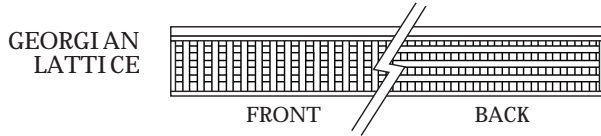
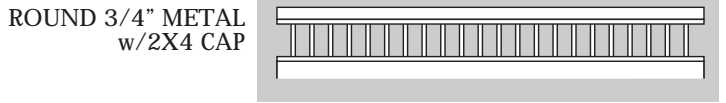
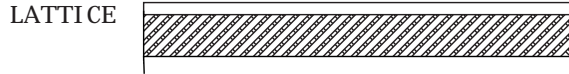
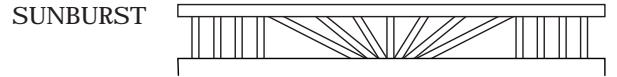
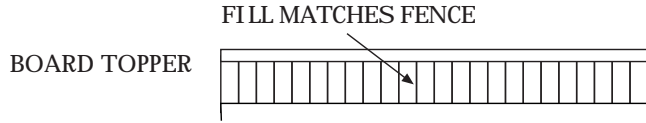


8" HINGE DETAIL

**NOTES:**

- All dimensions are nominal.
- Clearance below the fence isn't included in height calculations.
- We reserve the right to make changes or improvements to our designs without notice.

# Topper Styles +



NOTES:

• Prices vary depending on topper choice.