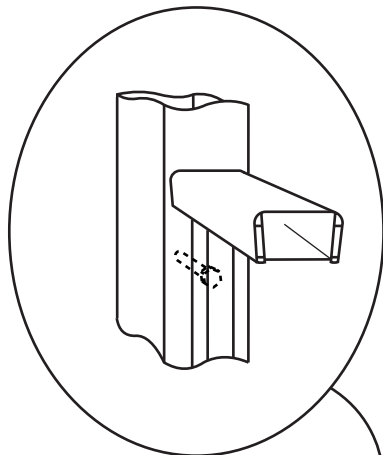
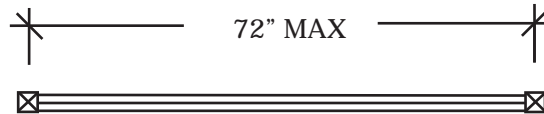


# Glass on Sleek Aluminum Railing

TOP VIEW (W/O HAND RAIL)



HAND RAIL DETAIL

2-1/2" X 1-1/2" HAND RAIL

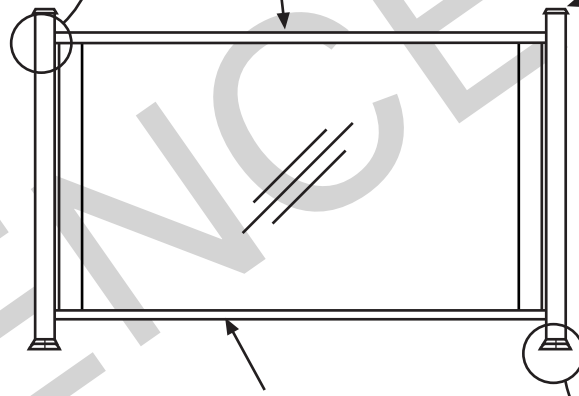
3-7/8" MAX

2-3/4" X 2-3/4" POST W/PYRAMID CAP

ACTUAL HEIGHTS ARE AS LISTED FROM FLOOR TO TOP RAIL WITH 3-7/8" CLEARANCE



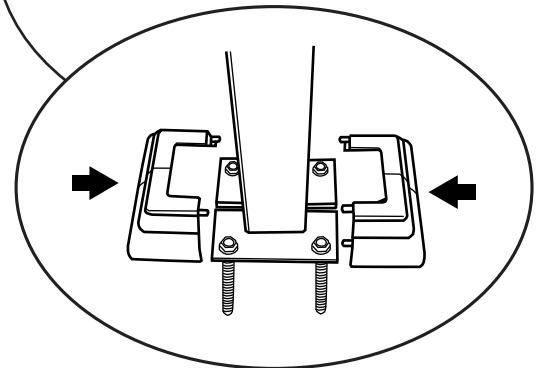
SIDE VIEW



FRONT VIEW

1-1/4" X 1-1/4" BOTTOM RAIL

3-7/8"

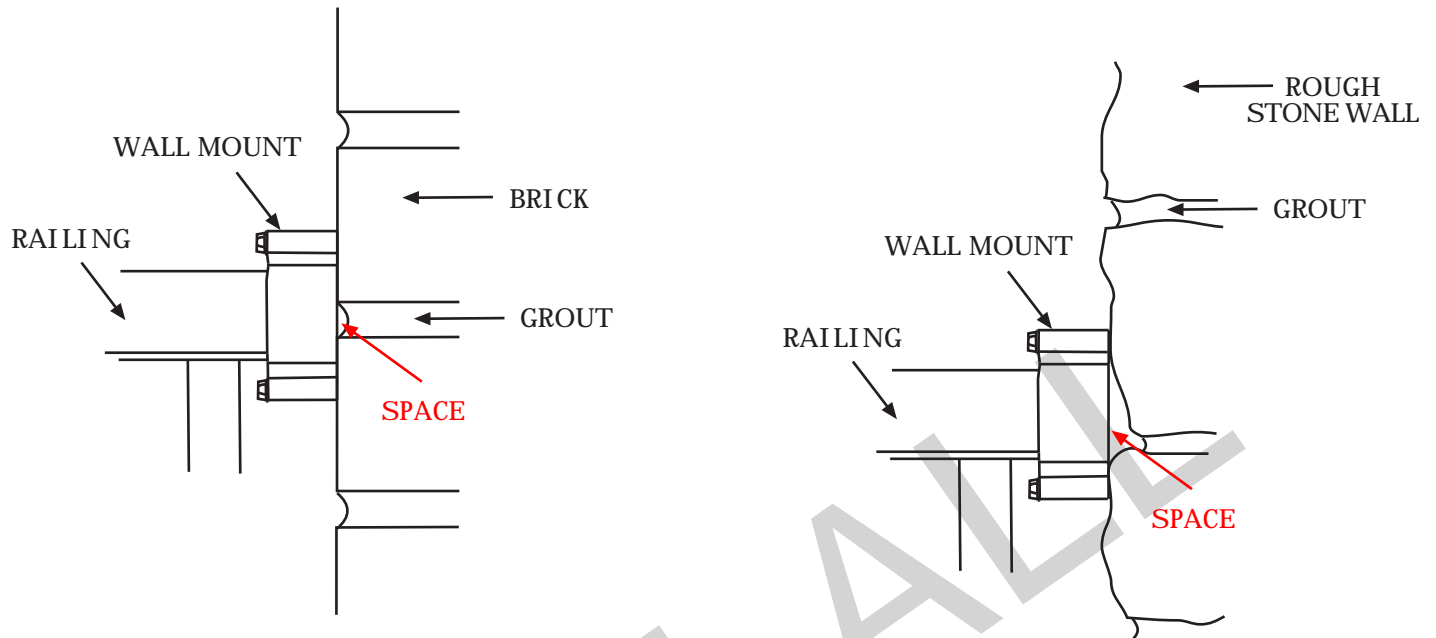


BASE ASSEMBLY DETAIL

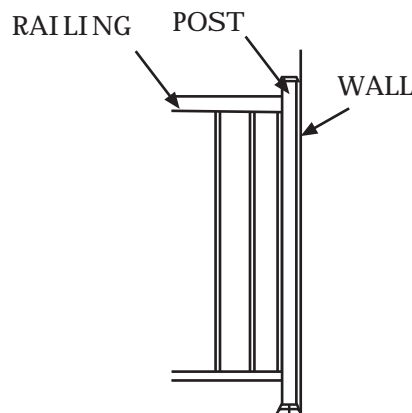
NOTES:

- all dimensions are nominal
- we reserve the right to make changes or improvements to our designs without notice

# Notes on Wall Mounts



- When railings attach to walls with a wall mount a flush connection is not always possible (i.e. there can be spaces as shown above).
- The connection is structurally fine and the railing is secure despite the spaces. But for those who don't like the look, we suggest a post beside the wall instead of the wall mount bracket. See below:



## NOTES:

- all dimensions are nominal
- we reserve the right to make changes or improvements to our designs without notice