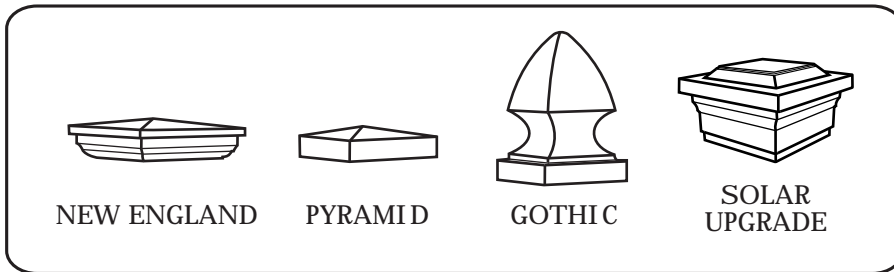
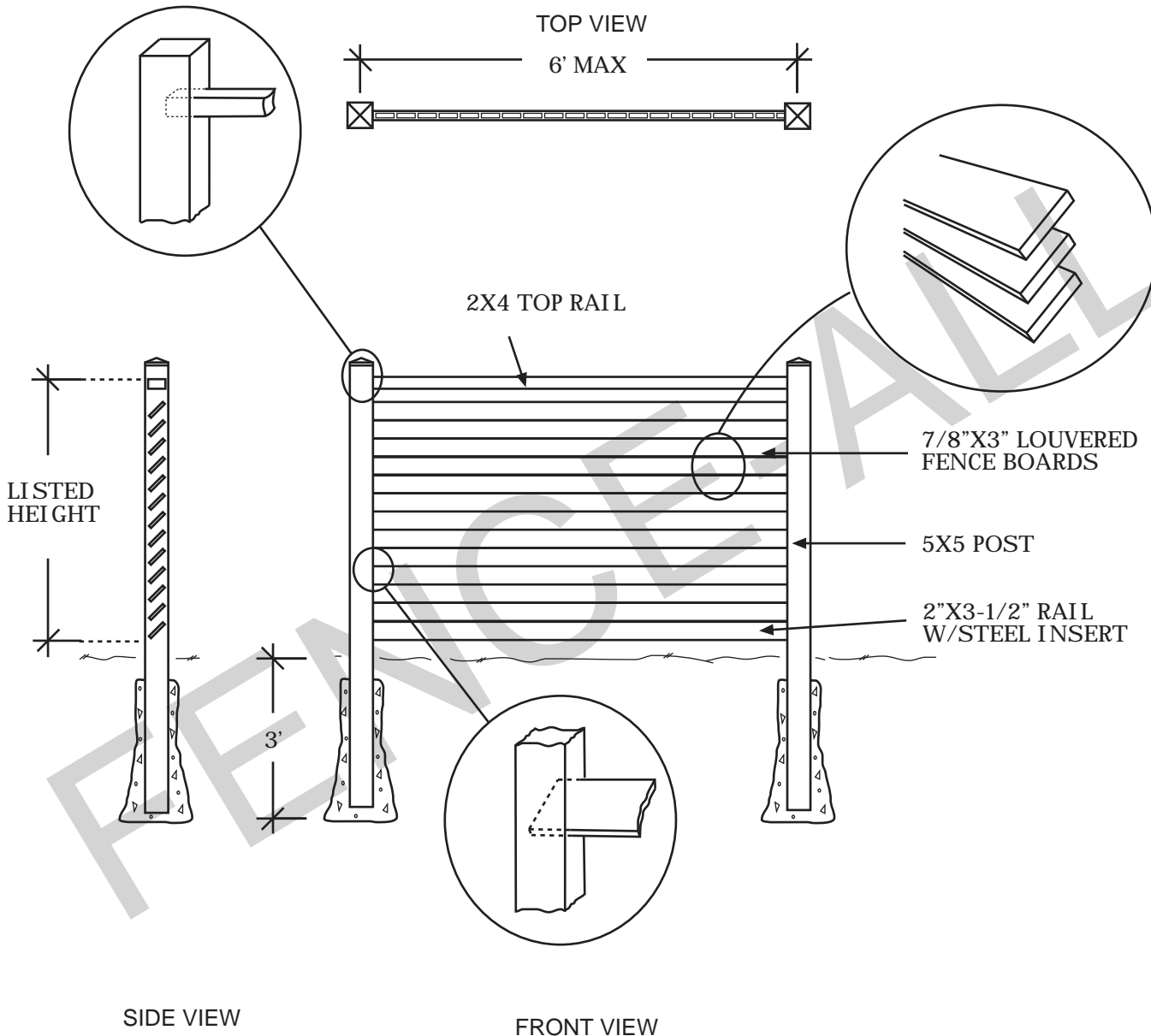


Grand Youville Vinyl/PVC

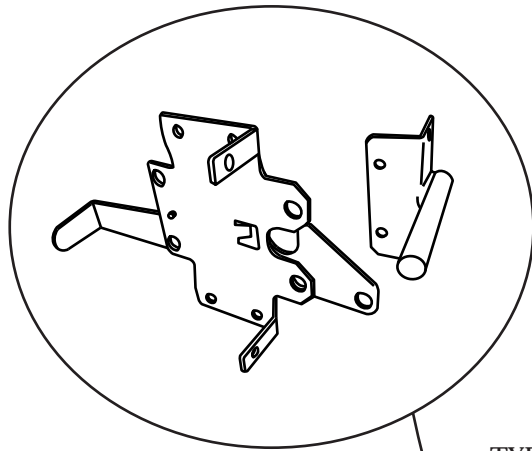


CHOICE OF CAP

NOTES:

- All dimensions are nominal.
- Clearance below the fence isn't included in height calculations.
- We reserve the right to make changes or improvements to our designs without notice.

Grand Youville Vinyl/PVC Gate



FINGER AND CATCH
TYPICALLY INSTALLED
@4'6" H MIN

TYPICALLY
1" SPACE ON
LATCH SIDE

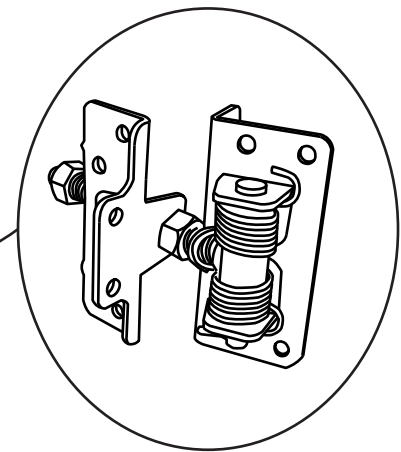
TYPICALLY
1/2" SPACE
ON HINGE
SIDE

OPTIONAL 2"X3-1/2" GATE
BRACE TYPICALLY
INSTALLED @7'H MIN

5X5 POST
TYPICAL

TYPICALLY 1-1/2"
SHORTER THAN
MATCHING FENCE

2" to 4"



HINGES ADJUST TO
SET GATE ALIGNMENT

NOTES:

- All dimensions are nominal.
- Clearance below the fence isn't included in height calculations.
- We reserve the right to make changes or improvements to our designs without notice.