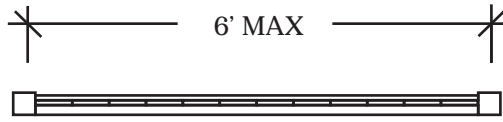


Grand Normandy Wood

TOP VIEW (W/O TOP CAP)



1X4
TOP
CAP

1X6 SCROLL CUT
FACEBOARD FRONT,
2X6 SCROLL CUT
FACEBOARD BACK

1X6 ABOARDS SPACED
UP TO 5/8" APART
ONCE WOOD DRIES
(STANDARD PATTERN
SHOWN)

4X4 POST WITH CAP

1" to 4"

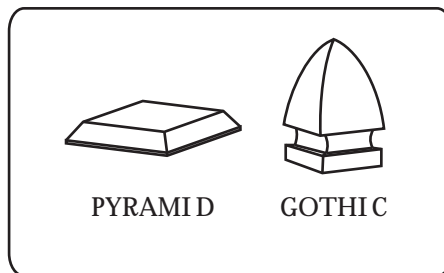
1X4 RAIL
FRONT, 2X4
RAIL BACK

LISTED
HEIGHT

3'
TYPICAL

SIDE VIEW

FRONT VIEW



PYRAMID

GOTHIC

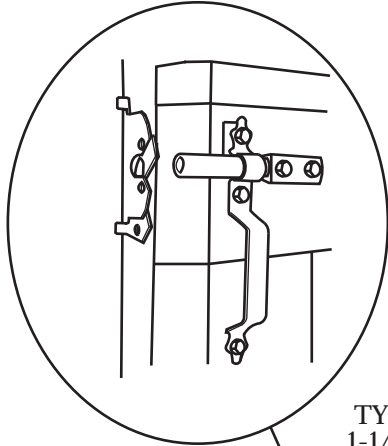
CHOICE OF CAP

NOTES:

- All dimensions are nominal.
- Clearance below the fence isn't included in height calculations.
- We reserve the right to make changes or improvements to our designs without notice.

Grand Normandy Wood Gate

PADDLE LATCH DETAIL
(TYPICALLY INSTALLED AT
HEIGHT OF TOP RAIL)

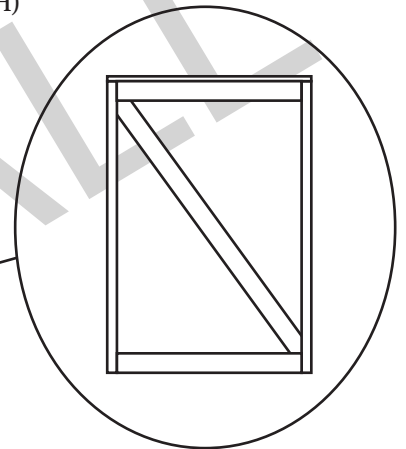
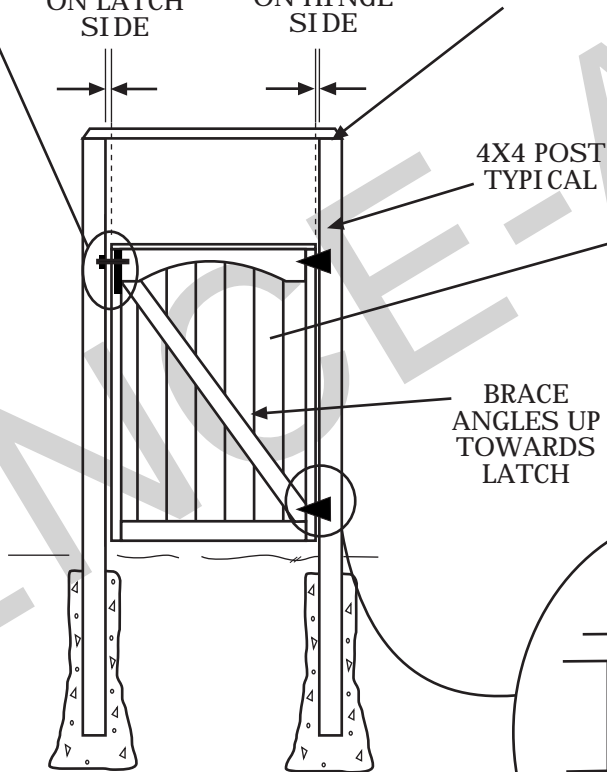


TYPICALLY
1-1/2" SPACE
ON LATCH
SIDE

TYPICALLY
1/2" SPACE
ON HINGE
SIDE

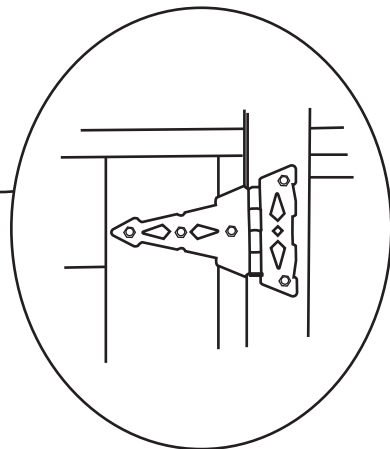
OPTIONAL 2X4 GATE
BRACE (TYPICALLY
INSTALLED AT 7'H)

GATE FRAME



BRACE
ANGLES UP
TOWARDS
LATCH

BACK VIEW



8" HINGE DETAIL

NOTES:

- All dimensions are nominal.
- Clearance below the fence isn't included in height calculations.
- We reserve the right to make changes or improvements to our designs without notice.