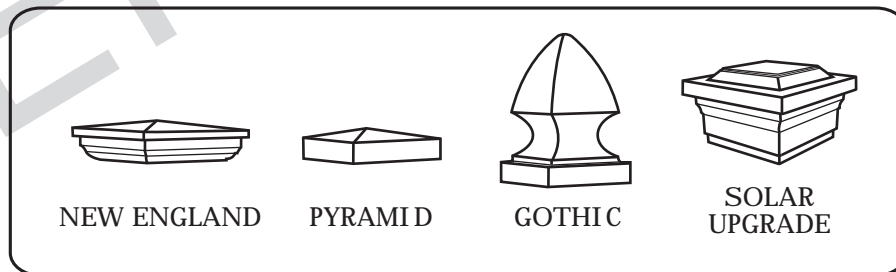
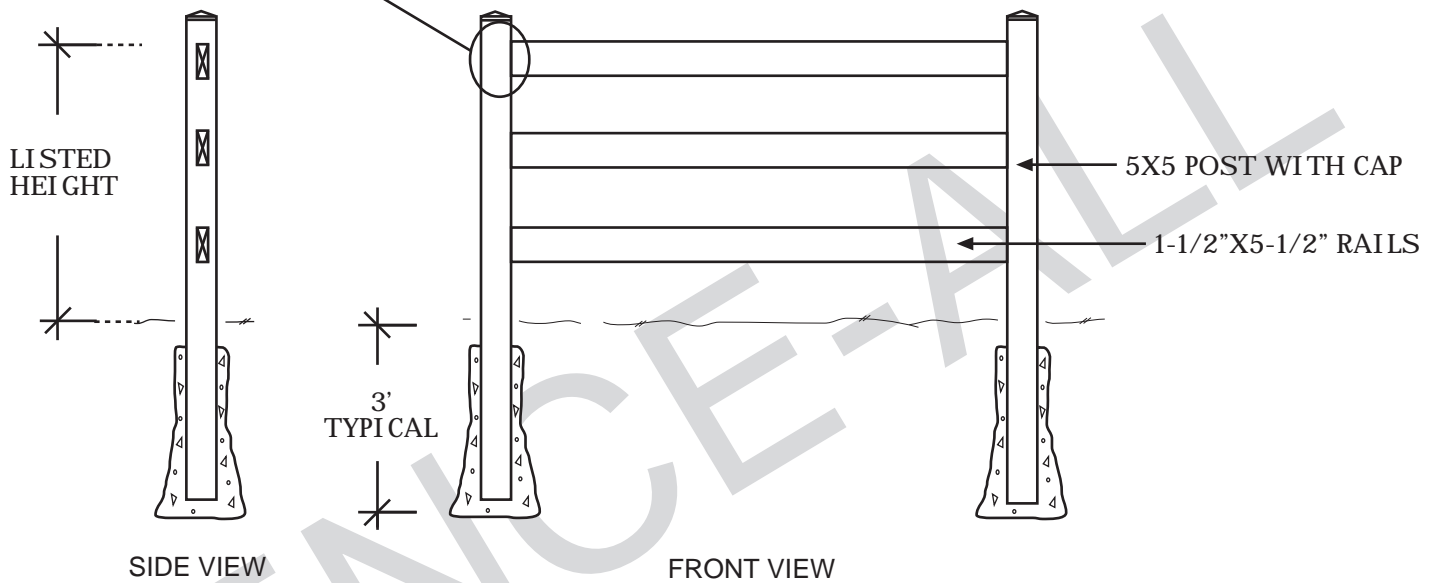
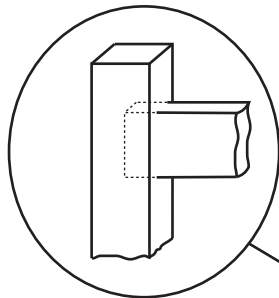
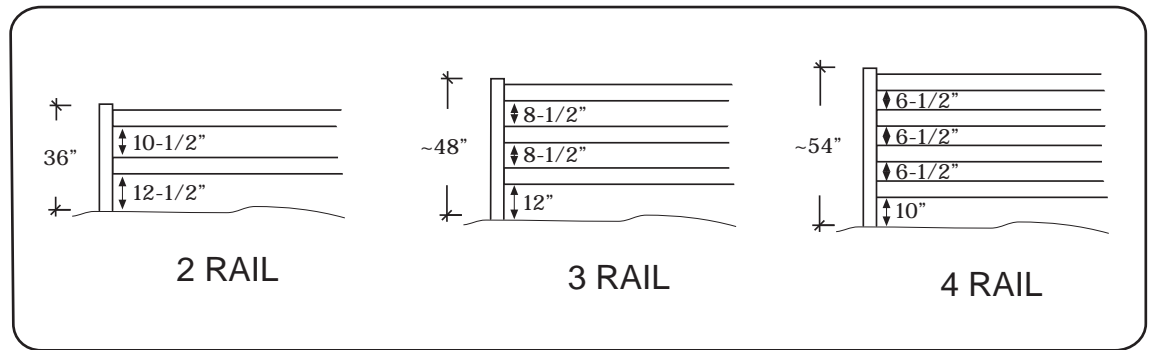


# Winchester Vinyl/PVC

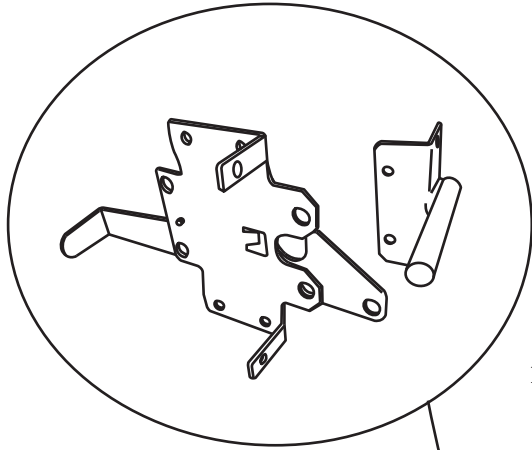


CHOICE OF CAP

**NOTES:**

- all dimensions are nominal
- we reserve the right to make changes or improvements to our designs without notice

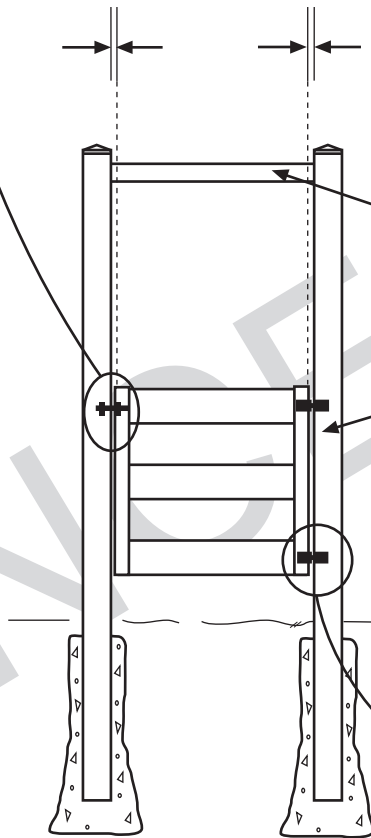
# Winchester Vinyl/PVC Gate



FINGER AND CATCH

TYPICALLY  
1-1/2" SPACE  
ON LATCH  
SIDE

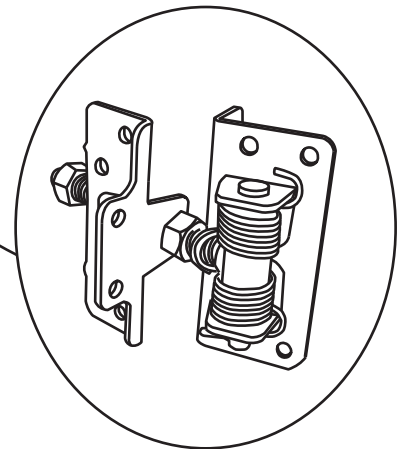
TYPICALLY  
1/2" SPACE  
ON HINGE  
SIDE



OPTIONAL 2X4 GATE  
BRACE TYPICALLY  
INSTALLED @ 7'H

5X5 POST  
TYPICAL

BACK VIEW



HINGES ADJUST TO  
SET GATE ALIGNMENT

NOTES:

- all dimensions are nominal
- we reserve the right to make changes or improvements to our designs without notice