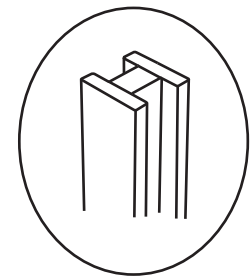
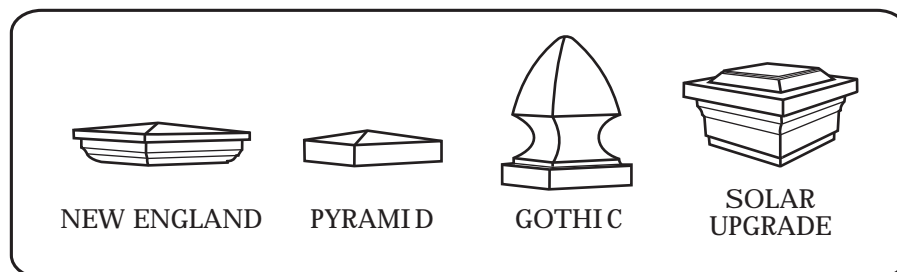
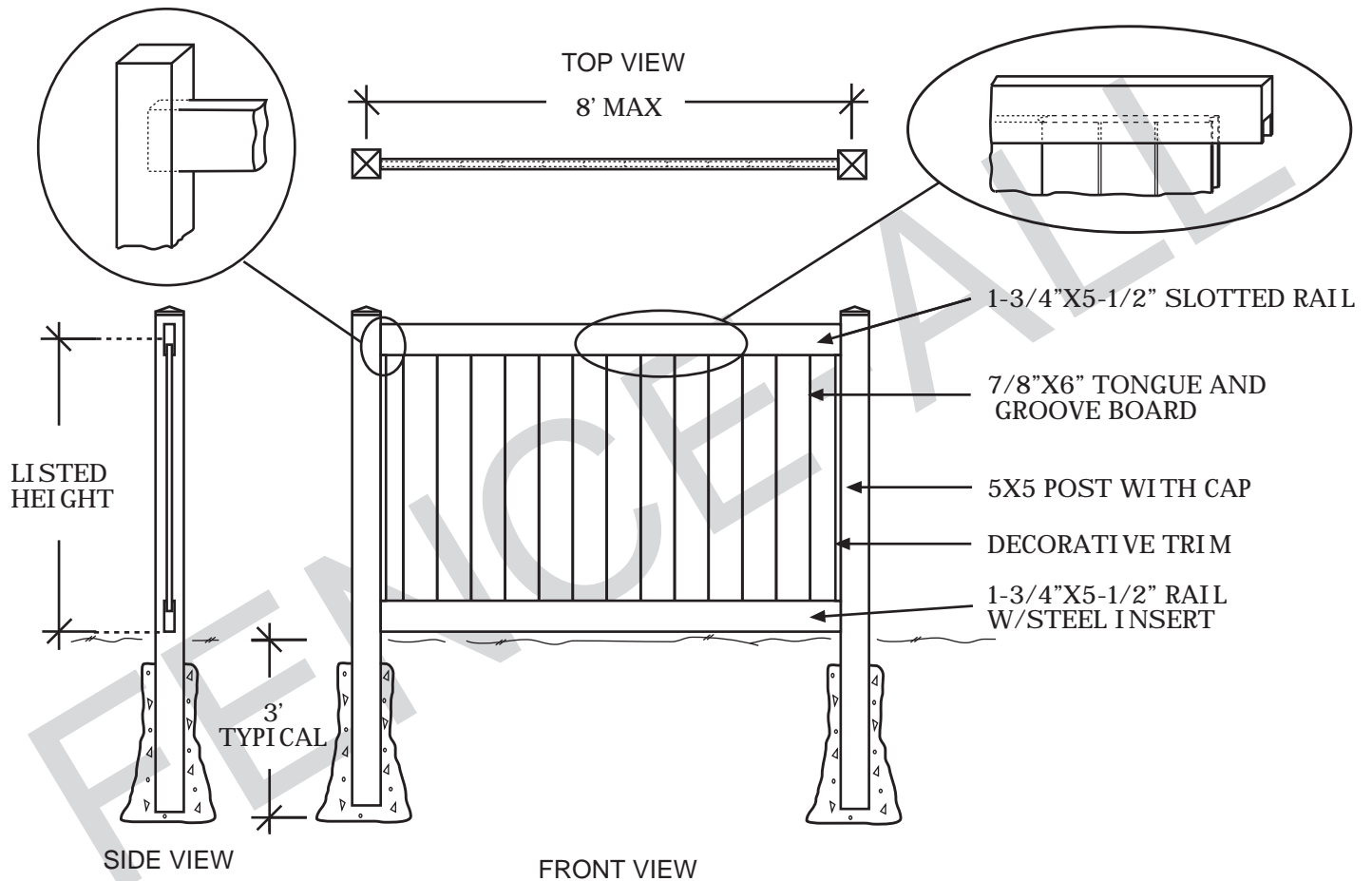


# Alexandria Vinyl/PVC



GREEN TEAK FENCES USE  
H-POSTS INSTEAD OF  
SQUARE POSTS

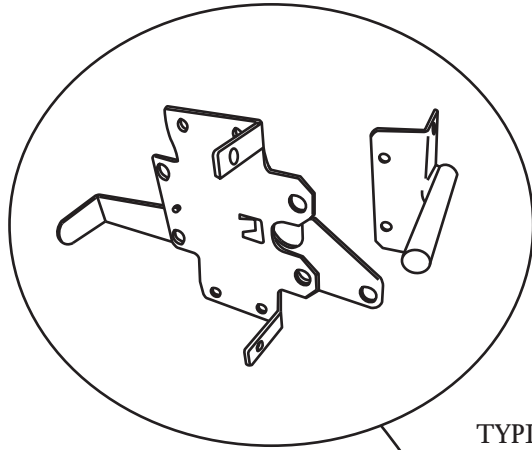


CHOICE OF CAP

**NOTES:**

- Green Teak jail bar/rails are substituted with Adobe.
- Chai Grey jail bar/rails/posts are substituted with White.
- 7' high Green Teak and Chai Grey have a mid rail.
- Clearance below the fence isn't included in height calculations.
- We reserve the right to make changes or improvements to our designs without notice.

# Alexandria Vinyl/PVC



FINGER AND CATCH  
TYPICALLY INSTALLED  
@4'6" H MIN

TYPICALLY  
1" SPACE ON  
LATCH SIDE

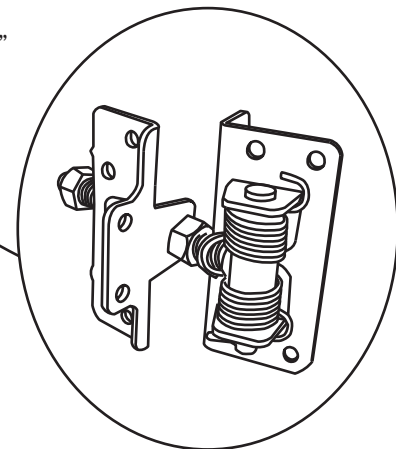
TYPICALLY  
1/2" SPACE  
ON HINGE  
SIDE

OPTIONAL 2"X3-1/2" GATE  
BRACE TYPICALLY  
INSTALLED @7'H MIN

5X5 POST  
TYPICAL

TYPICALLY 1-1/2"  
SHORTER THAN  
MATCHING FENCE

2" to 4"



HINGES ADJUST TO  
SET GATE ALIGNMENT

**NOTES:**

- Green Teak jail bar/rails are substituted with Adobe.
- Chai Grey jail bar/rails/posts are substituted with White.
- 7' high Green Teak and Chai Grey have a mid rail.
- Clearance below the fence isn't included in height calculations.
- We reserve the right to make changes or improvements to our designs without notice.