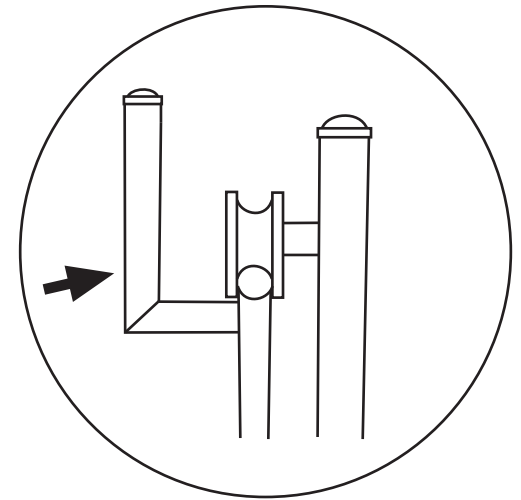
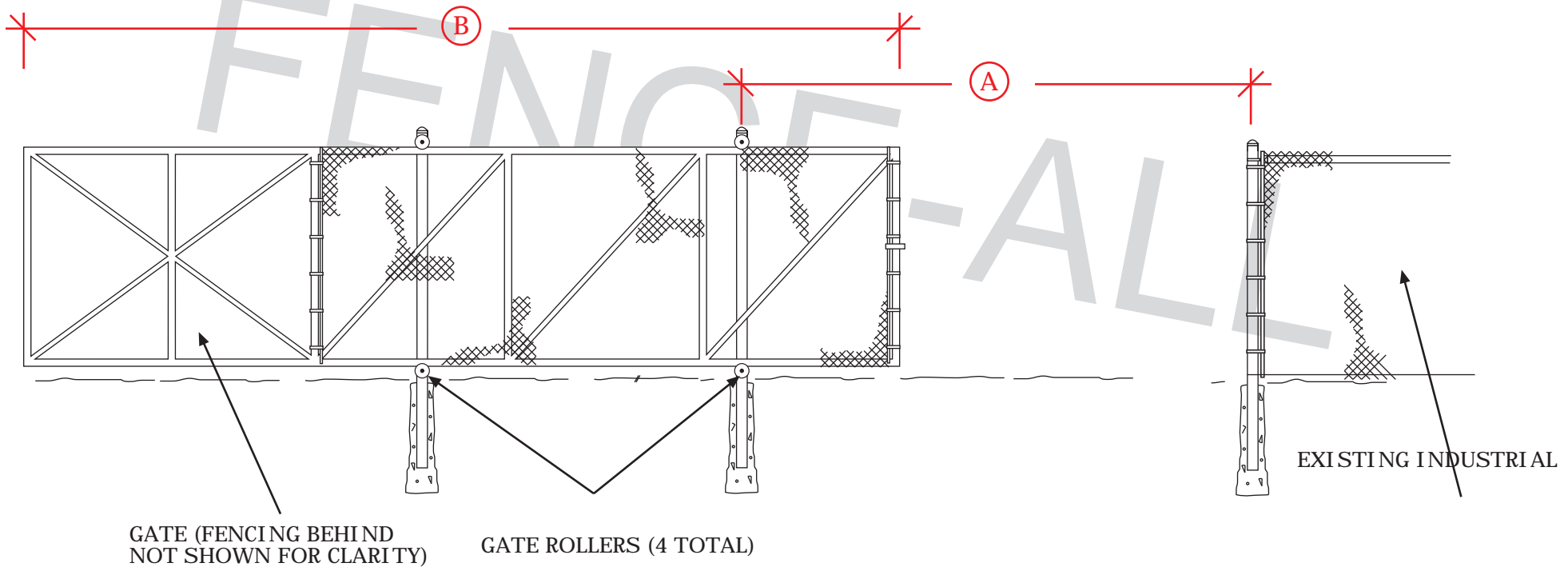


# Cantilever Gate



BARBED ARM OFFSET

**ACTUAL GATE WIDTH IS 1.5 X SIZE OF OPENING  
THE GATE HAS TO COVER (IF OPENING (A) IS 20',  
THEN GATE (B) WILL BE 30' WIDE)**



## NOTES:

- all dimensions are nominal
- we reserve the right to make changes or improvements to our designs without notice