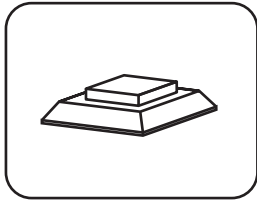
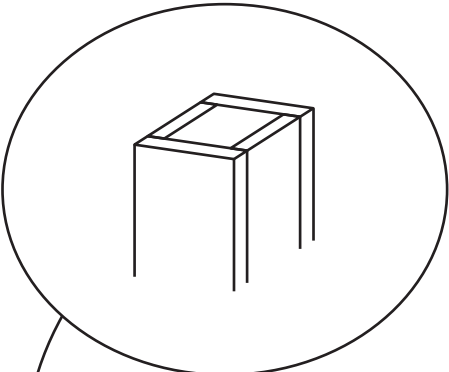


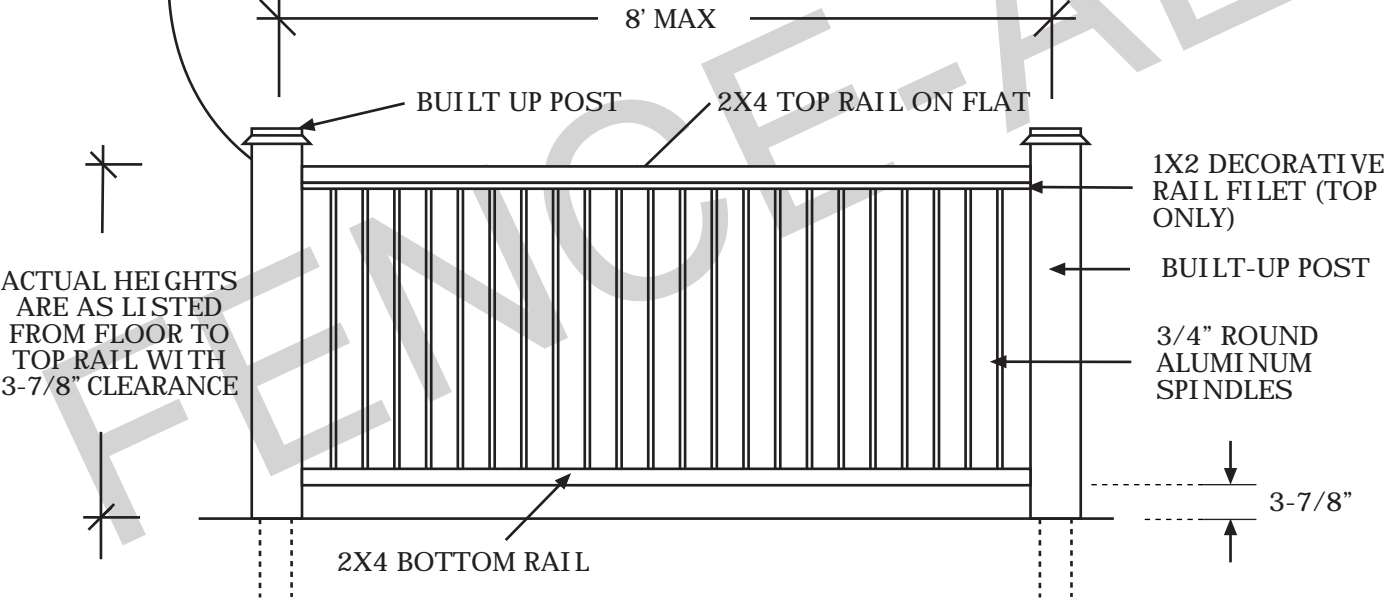
# Curved Iron/Wood Railing



DOUBLE FENCE-ALL CAP



BUILT UP POST DETAIL (WITHOUT CAP)



FRONT VIEW

**NOTES:**

- All dimensions are nominal.
- Clearance below the fence isn't included in height calculations.
- We reserve the right to make changes or improvements to our designs without notice.