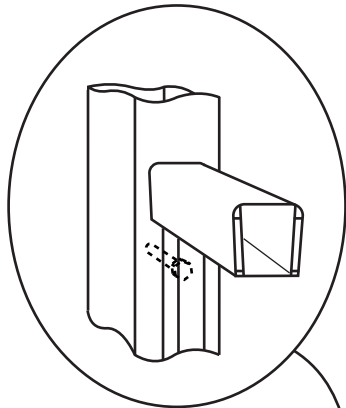
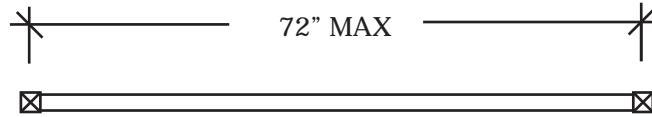


Glass on Standard Aluminum Railing

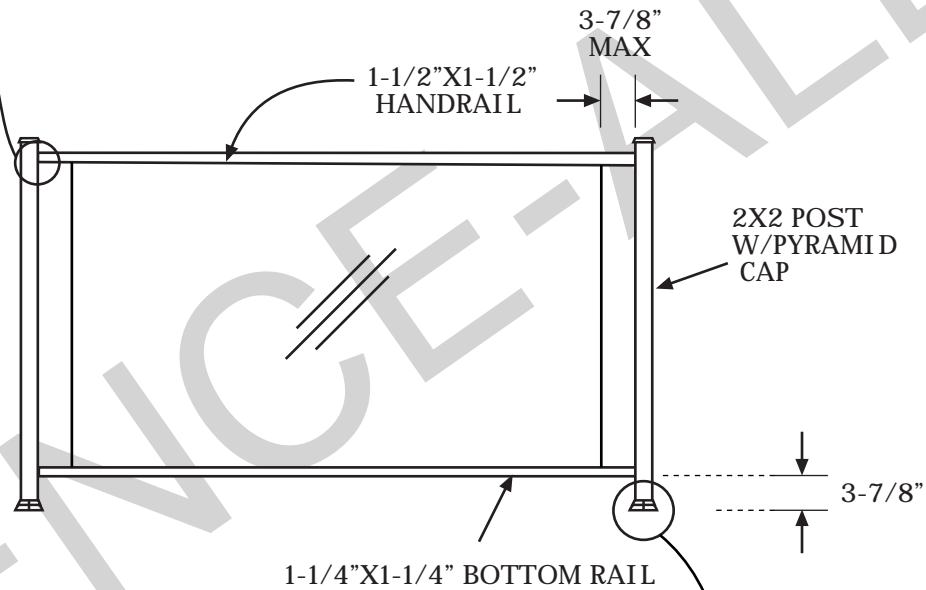
TOP VIEW



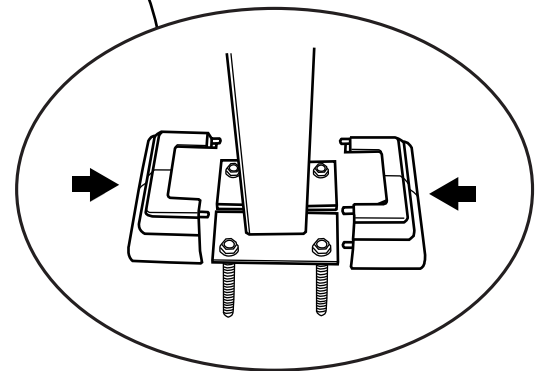
HAND RAIL DETAIL



SIDE VIEW



FRONT VIEW

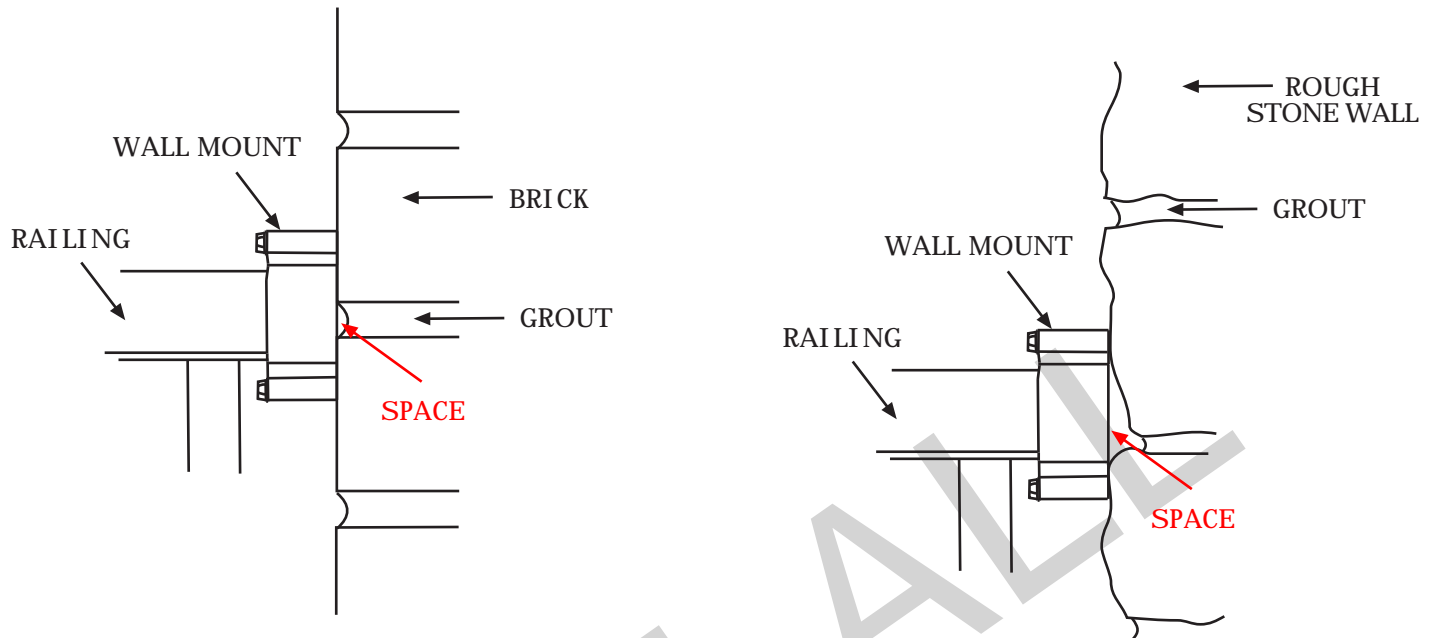


BASE ASSEMBLY DETAIL

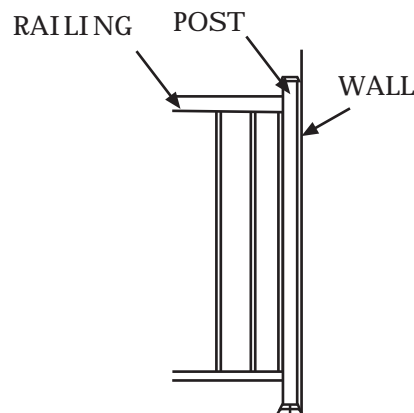
NOTES:

- all dimensions are nominal
- we reserve the right to make changes or improvements to our designs without notice

Notes on Wall Mounts



- When railings attach to walls with a wall mount a flush connection is not always possible (i.e. there can be spaces as shown above).
- The connection is structurally fine and the railing is secure despite the spaces. But for those who don't like the look, we suggest a post beside the wall instead of the wall mount bracket. See below:



NOTES:

- all dimensions are nominal
- we reserve the right to make changes or improvements to our designs without notice