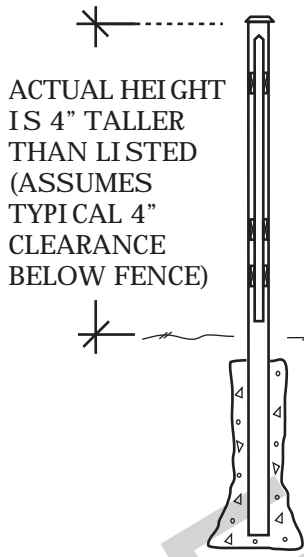
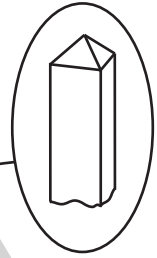


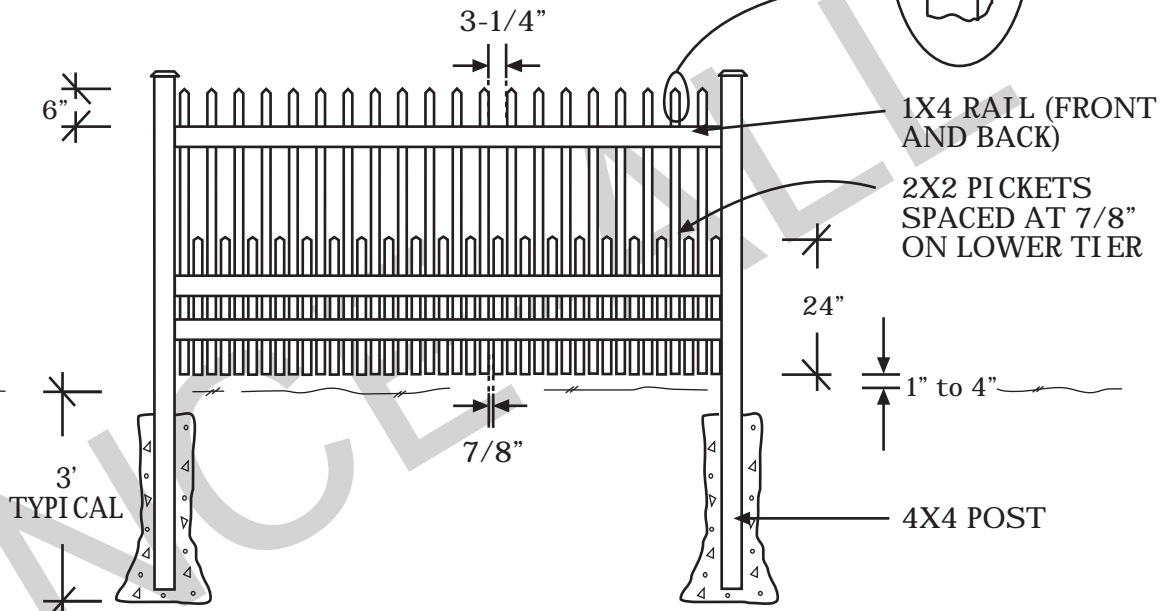
# Laurier Wood

TOP VIEW

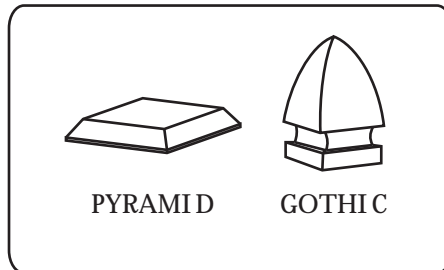


ACTUAL HEIGHT IS 4" TALLER THAN LISTED (ASSUMES TYPICAL 4" CLEARANCE BELOW FENCE)

SIDE VIEW



FRONT VIEW



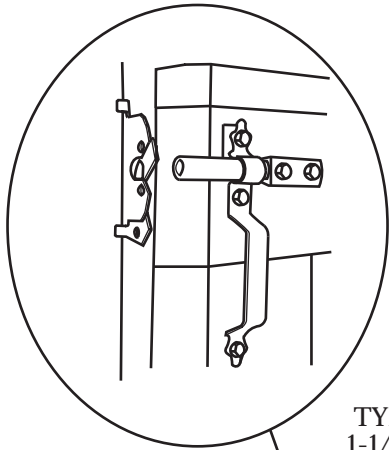
CHOICE OF CAP

NOTES:

- all dimensions are nominal
- we reserve the right to make changes or improvements to our designs without notice

# Laurier Wood Gate with Brace

PADDLE LATCH DETAIL  
(TYPICALLY INSTALLED AT  
HEIGHT OF TOP RAIL)

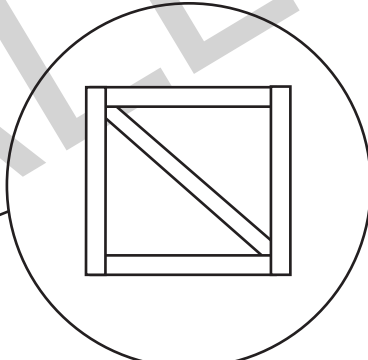
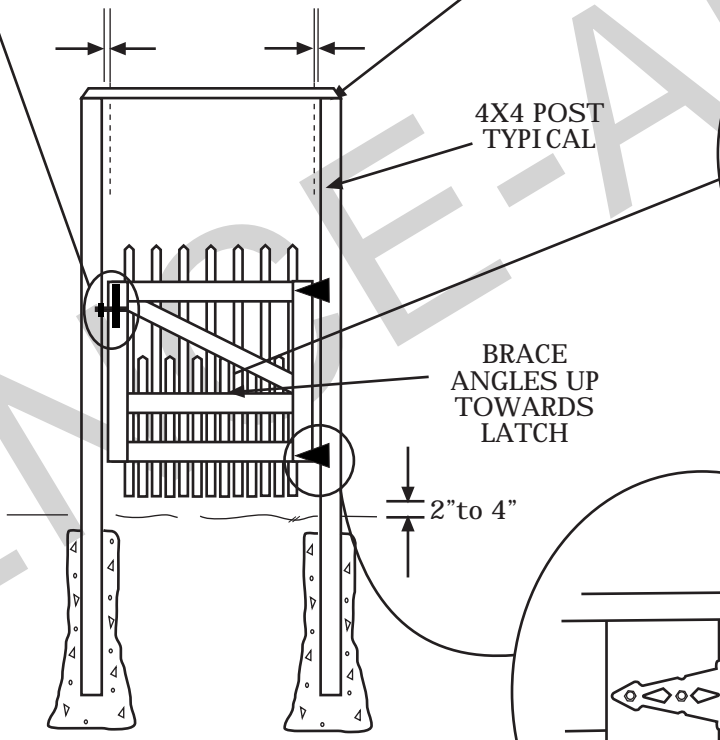


TYPICALLY 1-1/2" SPACE ON LATCH SIDE

TYPICALLY 1/2" SPACE ON HINGE SIDE

OPTIONAL 2X4 GATE BRACE (TYPICALLY INSTALLED AT 7'H)

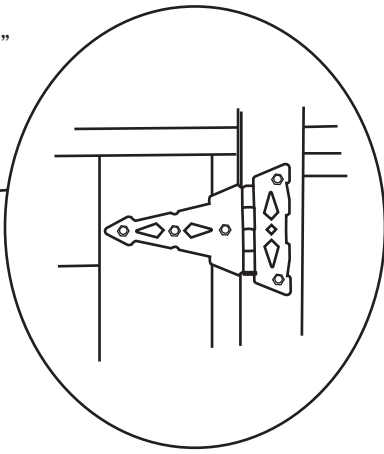
GATE FRAME



4X4 POST TYPICAL

BRACE ANGLES UP TOWARDS LATCH

2" to 4"



BACK VIEW

8" HINGE DETAIL

- NOTES:
- all dimensions are nominal
  - we reserve the right to make changes or improvements to our designs without notice