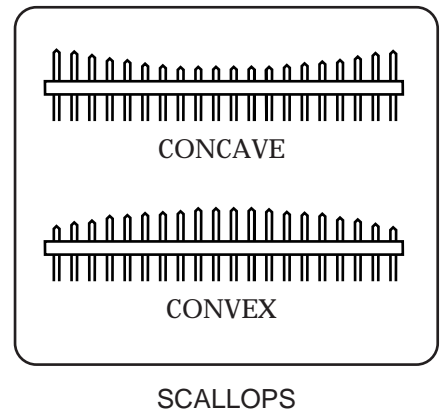
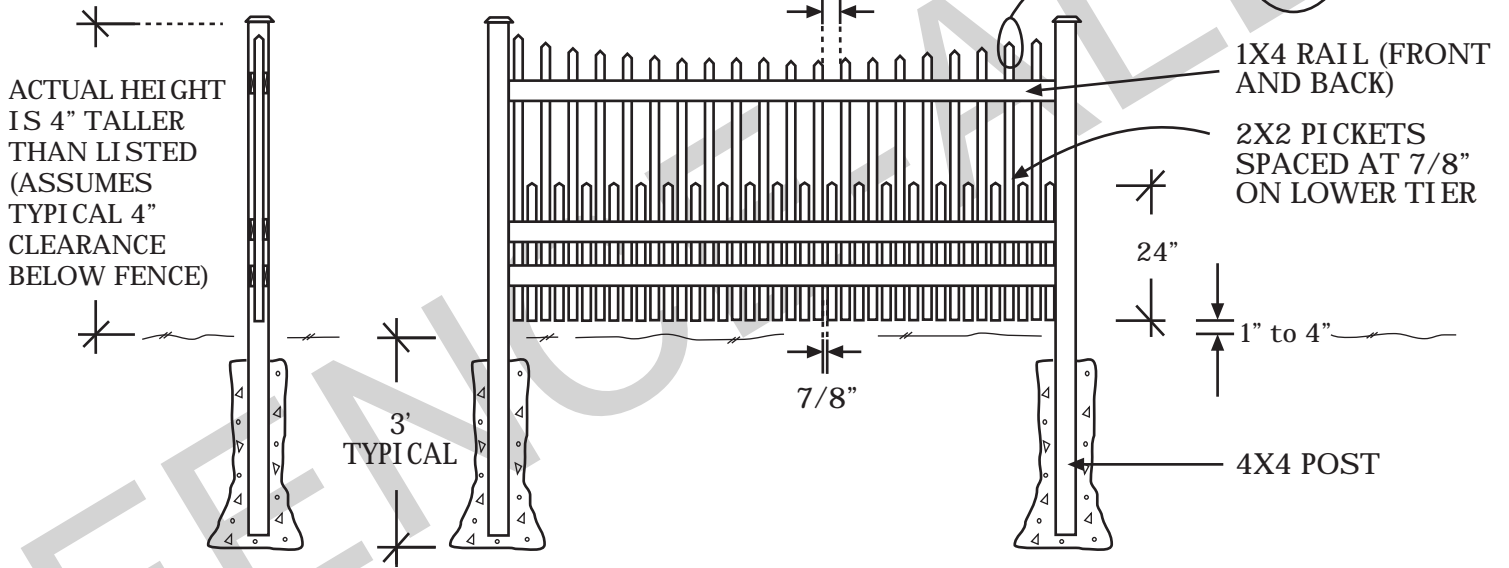
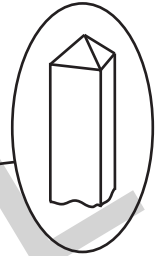


# Kars Wood

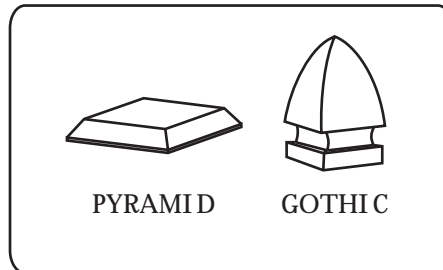


TOP VIEW



SIDE VIEW

FRONT VIEW



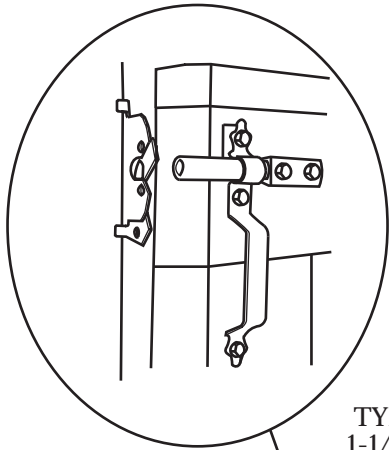
CHOICE OF CAP

NOTES:

- all dimensions are nominal
- we reserve the right to make changes or improvements to our designs without notice

# Kars Wood Gate with Brace

PADDLE LATCH DETAIL  
(TYPICALLY INSTALLED AT  
HEIGHT OF TOP RAIL)

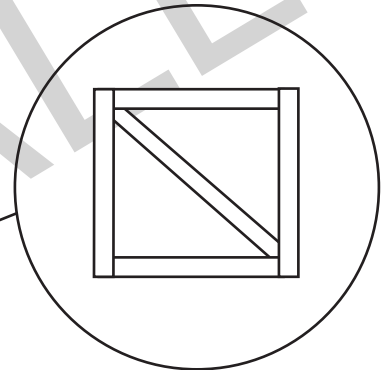
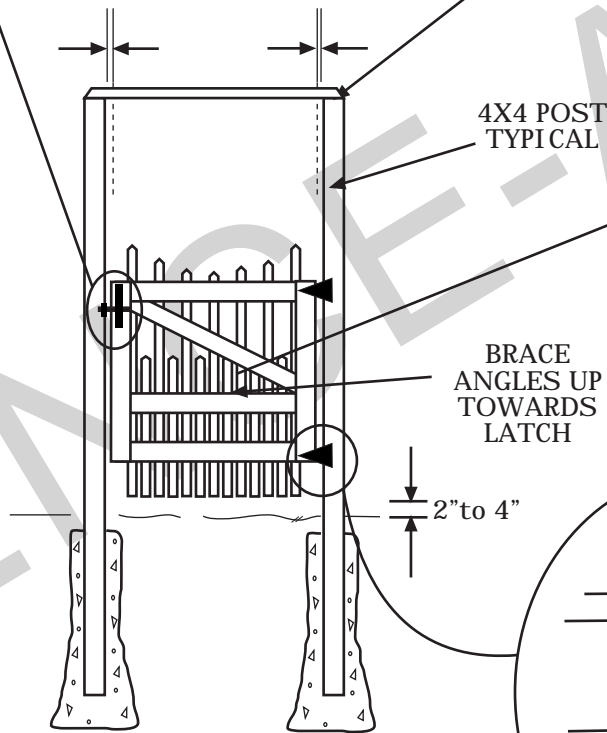


TYPICALLY  
1-1/2" SPACE  
ON LATCH  
SIDE

TYPICALLY  
1/2" SPACE  
ON HINGE  
SIDE

OPTIONAL 2X4 GATE  
BRACE (TYPICALLY  
INSTALLED AT 7'H)

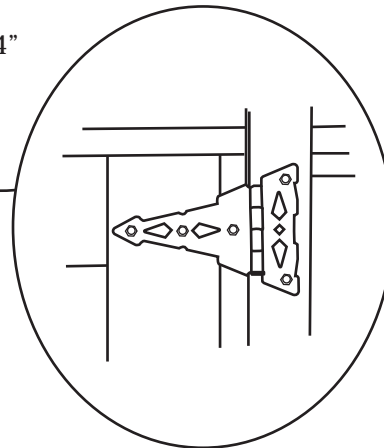
GATE FRAME



BRACE  
ANGLES UP  
TOWARDS  
LATCH

2" to 4"

BACK VIEW



8" HINGE DETAIL

NOTES:

- all dimensions are nominal
- we reserve the right to make changes or improvements to our designs without notice