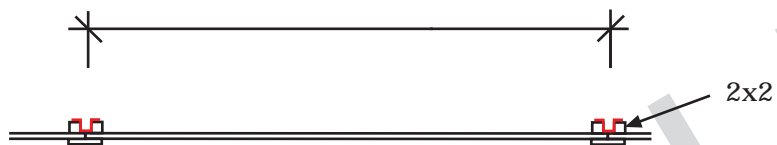


Ashton on PostMasters

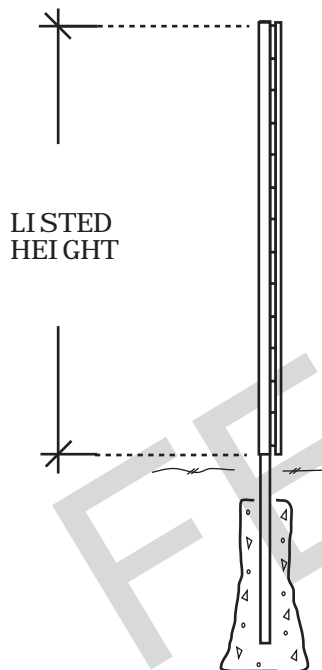
TOP VIEW

8' WIDE PANELS WITH A POSSIBLE MAKE UP
PANEL AT THE END OF EACH RUN AS NEEDED



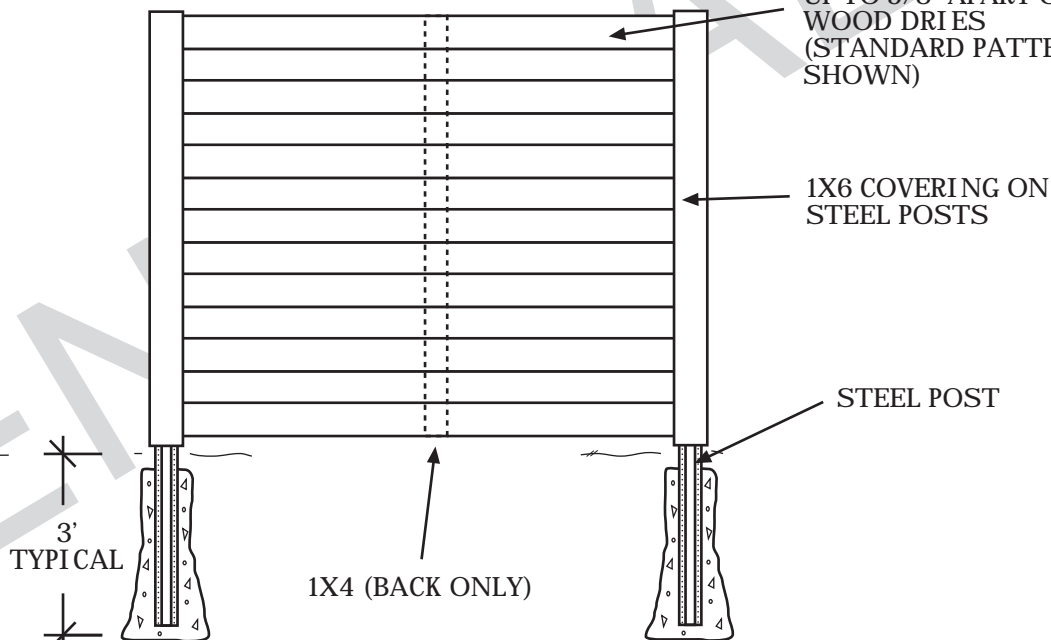
2x2

1X6 ABOARDS SPACED
UP TO 5/8" APART ONCE
WOOD DRIES
(STANDARD PATTERN
SHOWN)



LISTED
HEIGHT

SIDE VIEW



1X6 COVERING ON
STEEL POSTS

STEEL POST

1X4 (BACK ONLY)

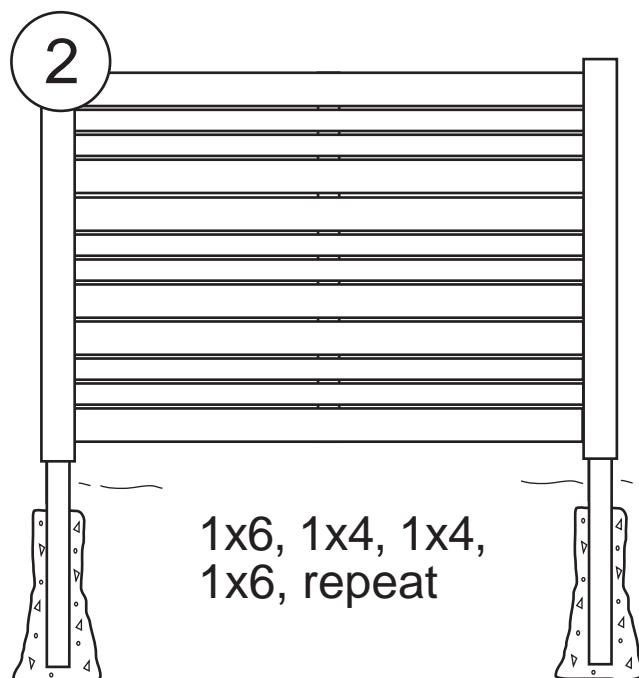
3'
TYPICAL

FRONT VIEW

NOTES:

- All dimensions are nominal.
- Clearance below the fence isn't included in height calculations.
- We reserve the right to make changes or improvements to our designs without notice.

Ashton Pattern #2 (shown with 5/8" spacing)



Pattern starts at bottom and finishes with 1x6 at appropriate height.

NOTES:

- All dimensions are nominal.
- Clearance below the fence isn't included in height calculations.
- We reserve the right to make changes or improvements to our designs without notice.