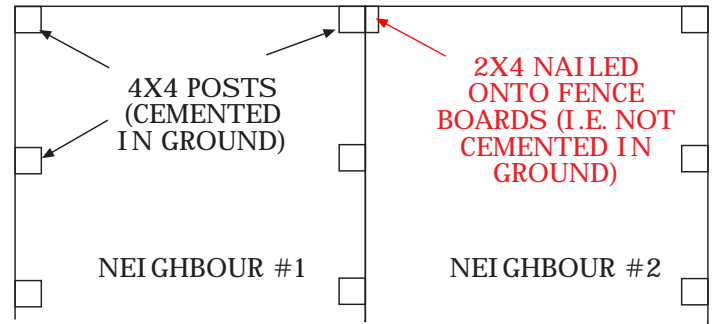


ASHTON NEIGHBOUR GROUPS

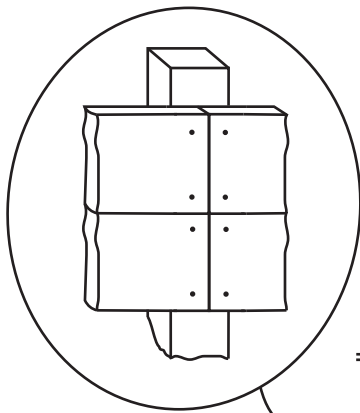
Ashton Wood

- An adjustment needs to be made at shared corners when Ashton fences are built in adjacent yards.
- All contracts have to specify which side the posts go on for each run.



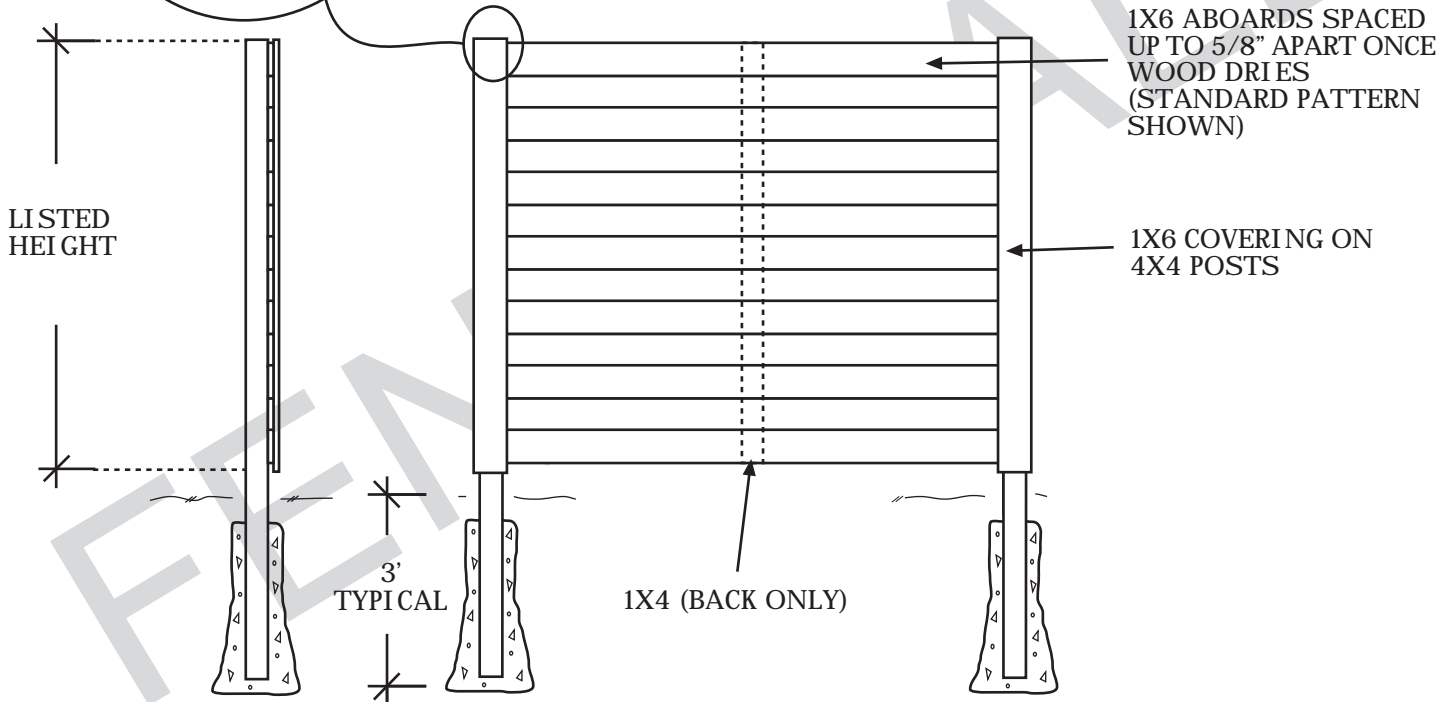
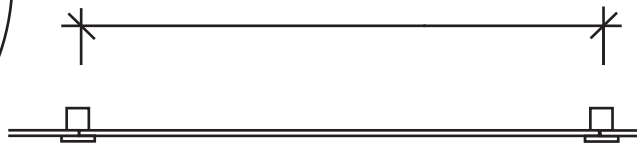
TOP VIEW
(NOT TO SCALE)

BOARD DETAIL
(W/O 1X6 COVERING)



TOP VIEW (W/O TOP CAP)

8' WIDE PANELS WITH A POSSIBLE MAKE UP PANEL AT THE END OF EACH RUN AS NEEDED



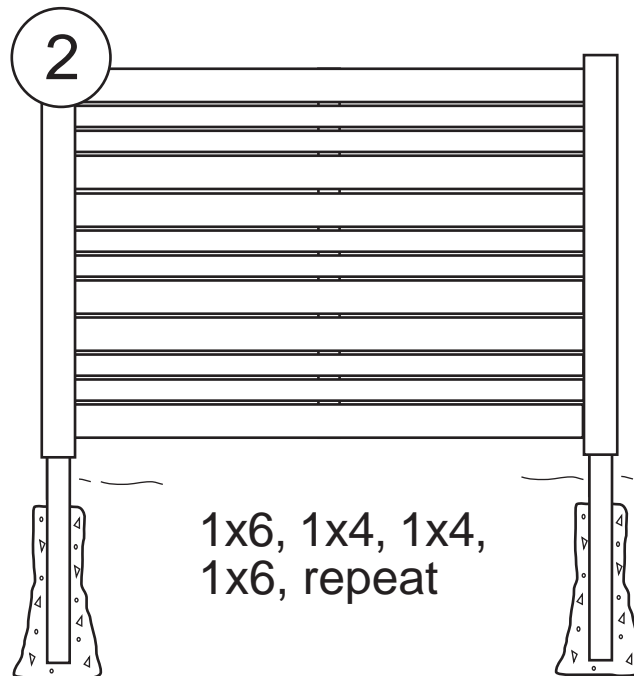
SIDE VIEW

FRONT VIEW

NOTES:

- All dimensions are nominal.
- Clearance below the fence isn't included in height calculations.
- We reserve the right to make changes or improvements to our designs without notice.

Ashton Pattern #2 (shown with 5/8" spacing)



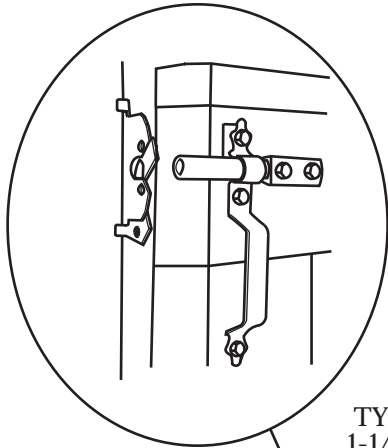
Pattern starts at bottom and finishes with 1x6 at appropriate height.

NOTES:

- All dimensions are nominal.
- Clearance below the fence isn't included in height calculations.
- We reserve the right to make changes or improvements to our designs without notice.

Ashton Wood Gate

PADDLE LATCH DETAIL
(TYPICALLY INSTALLED AT
HEIGHT OF TOP RAIL)

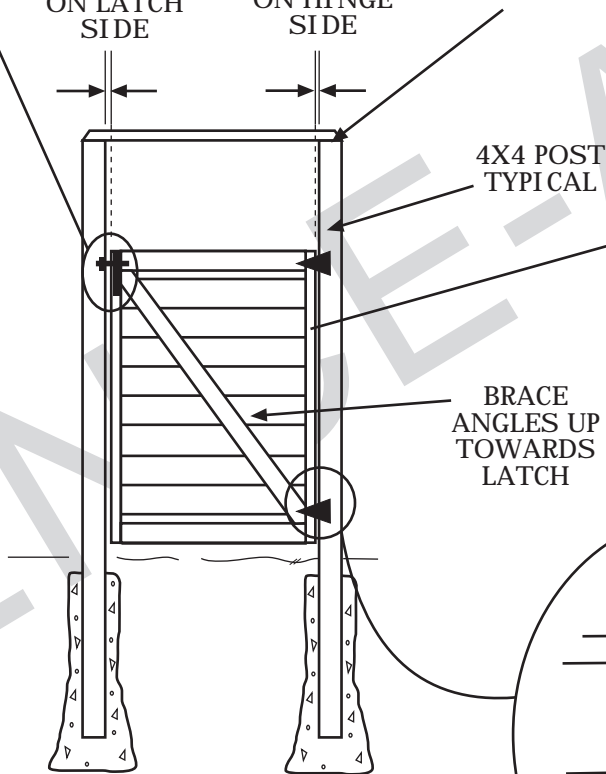


TYPICALLY
1-1/2" SPACE
ON LATCH
SIDE

TYPICALLY
1/2" SPACE
ON HINGE
SIDE

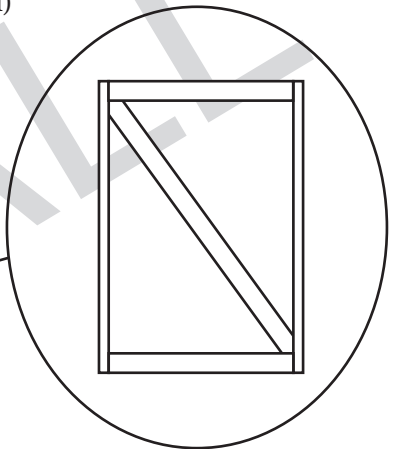
OPTIONAL 2X4 GATE
BRACE (TYPICALLY
INSTALLED AT 7'H)

GATE FRAME

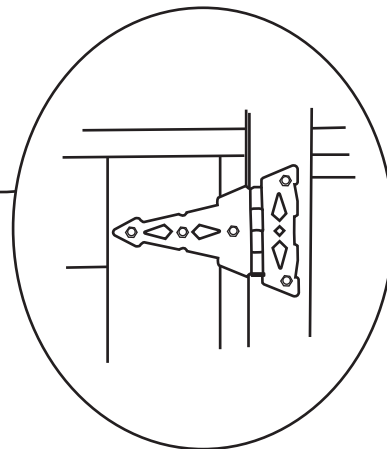


4X4 POST
TYPICAL

BRACE
ANGLES UP
TOWARDS
LATCH



BACK VIEW



8" HINGE DETAIL

NOTES:

- All dimensions are nominal.
- Clearance below the fence isn't included in height calculations.
- We reserve the right to make changes or improvements to our designs without notice.