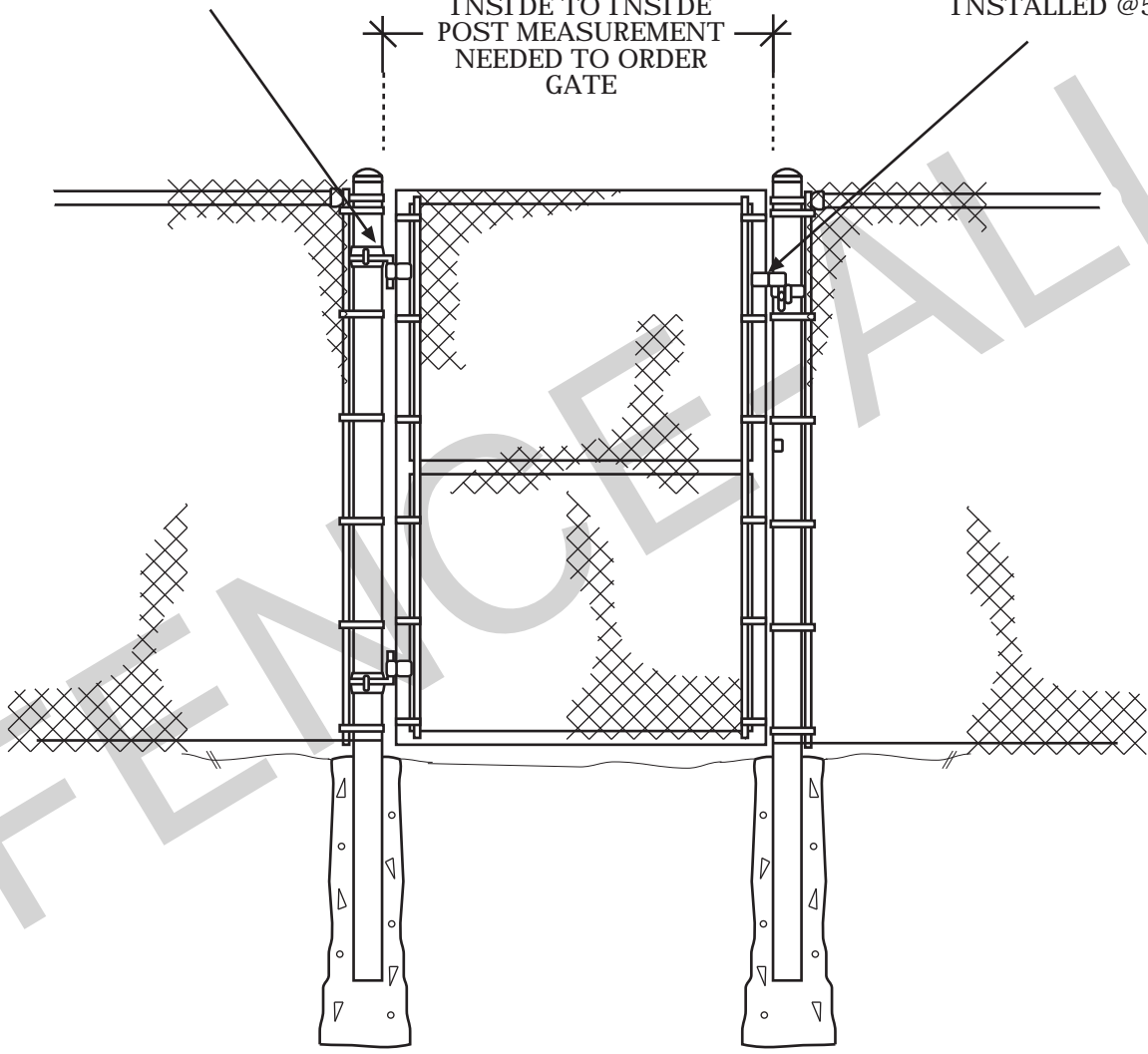


Fence-All Industrial Swing Gate



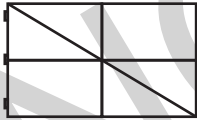
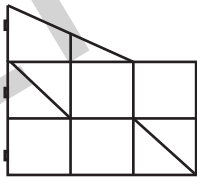
HINGES ADJUST TO
SET GATE ALIGNMENT

INSIDE TO INSIDE
POST MEASUREMENT
NEEDED TO ORDER
GATE

FINGER AND
CATCH TYPICALLY
INSTALLED @5'H



Fence-All Swing Gate Design Recommendations

WIDTH	SHAPE	4' - 6' HEIGHT	7'-12' HEIGHT
3'-6'		3-1/2" Post	4-1/2" Post
6'-10'		3-1/2" Post	4-1/2" Post
10'-14'		3-1/2" Post (3 Hinge System)	4-1/2" Post (3 Hinge System)
15'+		4-1/2" Post (3 Hinge System)	6-5/8" Post (3 Hinge System)